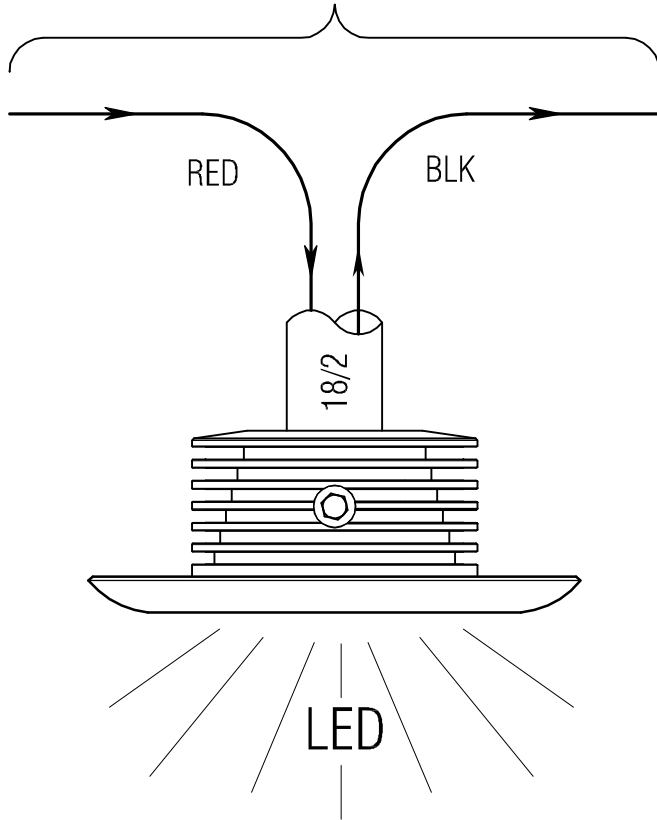


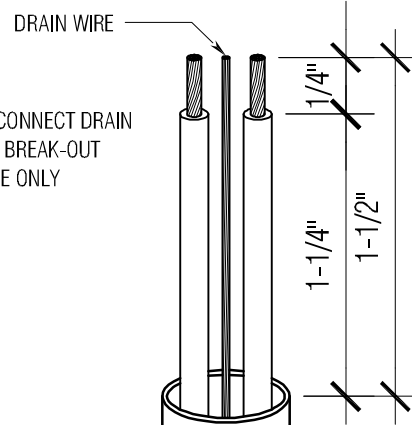
IMPORTANT: IN ORDER FOR LED TO LIGHT, CURRENT MUST FLOW THROUGH THE FIXTURE AS SHOWN BELOW.



DIRECTION OF CURRENT

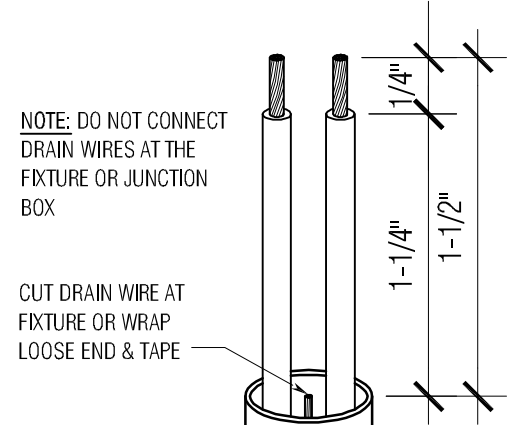
NOTE DIRECTION OF CURRENT FOR SERIES CIRCUIT (➔)

A1



NOTE: CONNECT DRAIN AT THE BREAK-OUT MODULE ONLY

**AT
BREAK-OUT
MODULE**



NOTE: DO NOT CONNECT DRAIN WIRES AT THE FIXTURE OR JUNCTION BOX

CUT DRAIN WIRE AT FIXTURE OR WRAP LOOSE END & TAPE

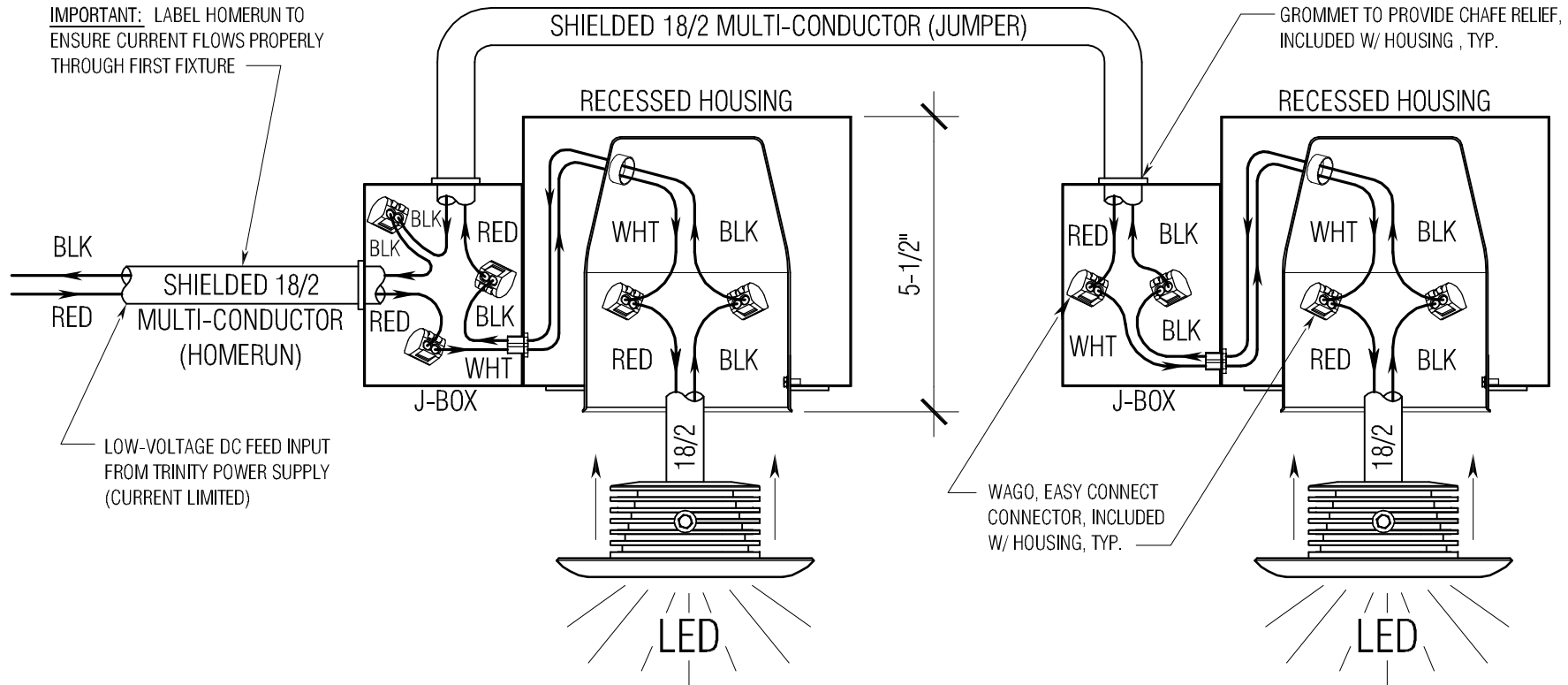
**AT
FIXTURE**

WIRE STRIPPING DIAGRAMS

AT FIXTURE & BREAK-OUT MODULE

A2

NOTE: DO NOT CONNECT DRAIN WIRES IN THE JUNCTION BOX



IMPORTANT: LABEL HOMERUN TO ENSURE CURRENT FLOWS PROPERLY THROUGH FIRST FIXTURE

LOW-VOLTAGE DC FEED INPUT FROM TRINITY POWER SUPPLY (CURRENT LIMITED)

(2) FIXTURE SERIES CONNECTION

NOTE DIRECTION OF CURRENT FOR SERIES CIRCUIT (➔)

A3