

Installation Instructions

ATTENTION

Fixture only to be connected to a constant current (C.C.) low-voltage power source with a maximum of 2100 mA, 36 Volts. Connection to any other power source voids warranty.

Owner/User Responsibilities: It is the responsibility of the contractor, installer, buyer, owner and user to install, maintain and operate this luminaire in accordance with all laws, building codes, regulations and local Electrical Safety Authority requirements. This product is only to be installed by a qualified person.

Preparation

Shut off power at fuse box or circuit breaker before installation.

Installation

- For Narrow or Medium beam configuration, attach the Reflector (Image 1):
 - While aligning slot openings at the base of the Reflector with the tabs of the Optic Holder, press Reflector against the Holder.
 - Rotate the Reflector clockwise until it stops.
- Using included fasteners, attach the Shade or Wire Guard to the Fixture. (Image 2)
- If Cable Mount (Image 3):
 - Loop supplied Support Cable over Unistrut or other structural member, passing straight end through loop on end of cable, OR attach loop on end of cable to a hook (not included).
 - Attach Support Cable to Fixture: while depressing plungers on Cable Gripper, a) pass Support Cable through plunger & out of side exit hole, b) through support ring on top of fixture, and c) through other plunger & out of other side exit hole.
 - To adjust mounting height of the fixture, depress plungers on Cable Gripper and slide cable through. Carefully trim excess cable.
 - Prepare Power Cable wire ends according to Wire Stripping Diagrams on last page. Using either Wire Connectors supplied with Fixture or wire nuts, connect the black wire lead to the (-) negative black power wire. Connect the other lead (white or red) to the (+) positive red power wire.

Image 1) Reflector Attachment

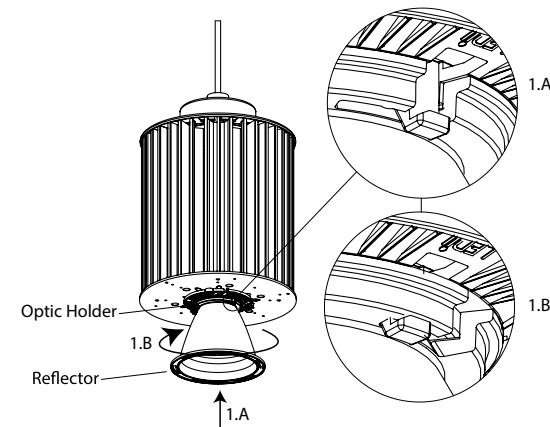
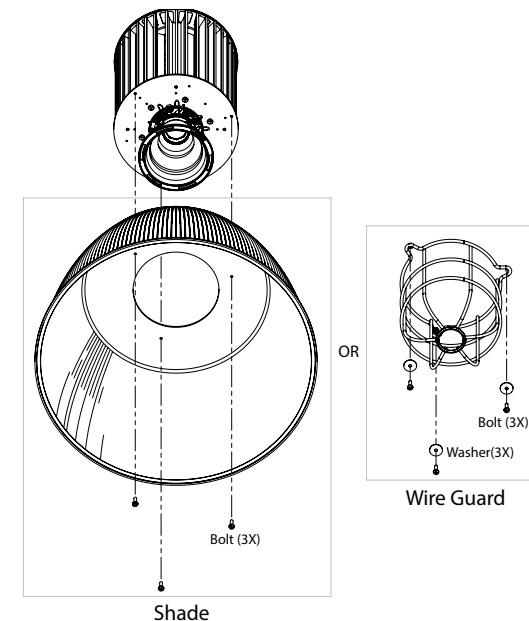


Image 1

Image 2) Shade or Wire Guard Attachment



Installation Continued

- er wire.
- E. Secure Power Cable to Support Cable with cable ties. Connection can be placed inside the body of the Fixture by pushing it through the hole below the support ring.
4. If Stem Mount (Image 4):
 - A. Feed Power Cable through Stem. Thread Stem into top of Fixture until hand tight. If applicable, attach additional stem section(s) with ½" threaded conduit coupler(s).
 - B. Feed Power Cable through Canopy and fasten Canopy onto Stem with Lock Nut (included).
 - C. Determine if the Canopy mounting holes align with the Junction Box mounting holes. If not, fasten the Universal Mounting Bracket to the Junction Box with 2 screws (#8-32 included).
 - D. Prepare Power Cable wire ends according to Wire Stripping Diagrams on last page. Using either Wire Connectors supplied with Fixture or wire nuts, connect the black wire lead to the (-) negative black power wire. Connect the other lead (white or red) to the (+) positive red power wire.
 - E. While pushing the wiring into Junction Box, attach Canopy to Junction Box (or Universal Mounting Bracket) using two #8-32 screws (included).
 5. Turn power on to test Fixture.

Care and Maintenance

Clean with soft, dry cloth. Do not use abrasives.

Image 3) Cable Mount Installation

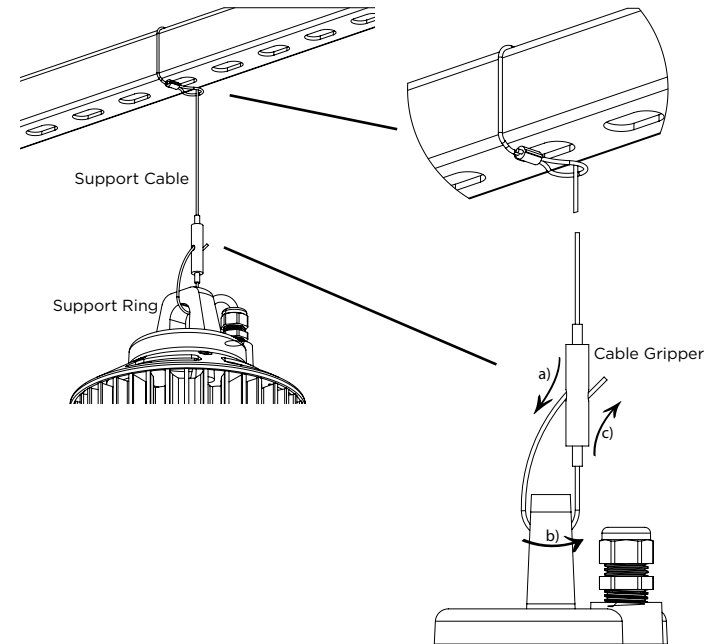
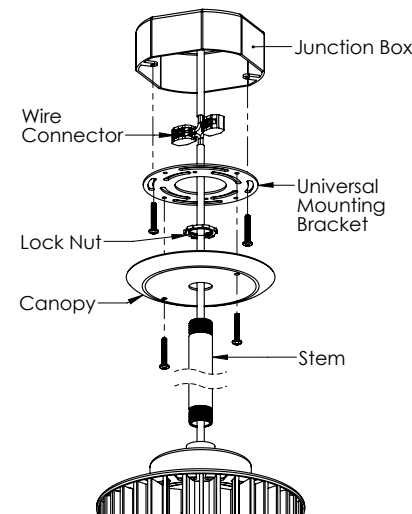
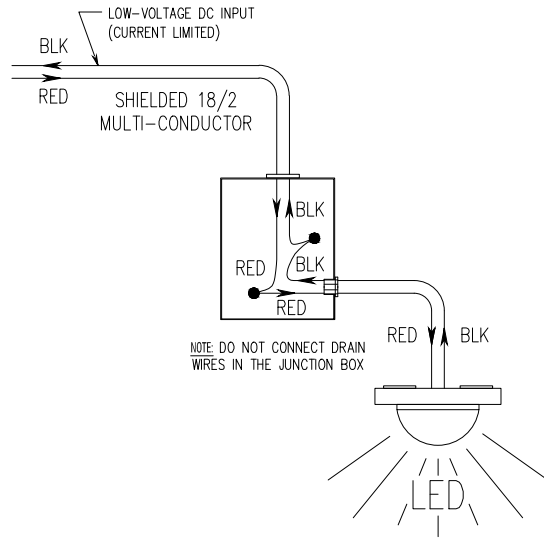


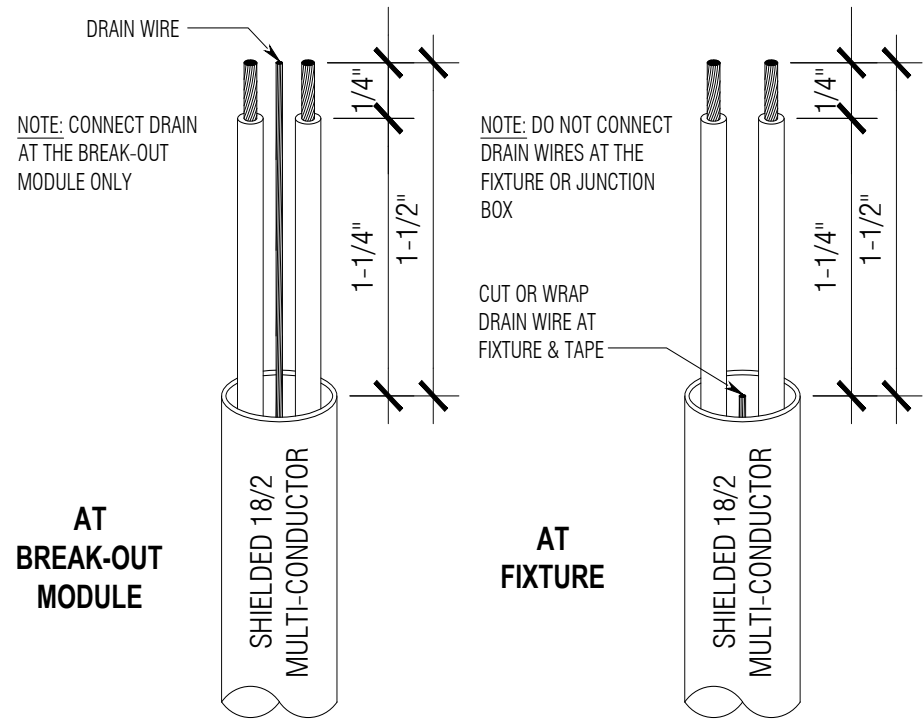
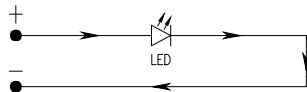
Image 4) Stem Mount Installation



SINGLE FIXTURE CONNECTION

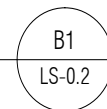


SINGLE FIXTURE CONNECTION



WIRE STRIPPING DIAGRAMS

AT FIXTURE & BREAK-OUT MODULE



For more information, please contact:
+1 (727) 827-2805
sales@lumastream.com

LumaStream, Inc. reserves the right to make changes without further notice to any products herein to improve reliability, function, or design. LumaStream does not assume any liability arising out of the application or use of any product described herein; neither does it convey any license under its patent rights, nor the rights of others.