

EON- 492

LED Lighting Driver Dimmer

Schedule ID	
Part Number	
Notes	



Flexible LED dimming control meets low-voltage power distribution.

Product Description

The EON-492 Analog provides up to 4 independent output control channels, with the simplicity of an analog interface.

The EON-492's 3-in-1 platform combines power conversion, constant current drivers, and superior dimming control into one cohesive LED driver. The LumaStream EON maximizes the efficiency of AC/DC power conversion, providing remarkably high power efficiency maintained across a wide range of dimming levels.

Ideal applications: warehouse, industrial, house of worship, supermarkets, hospitality, retail, architectural lighting.

Key Features

- Powers LED luminaires up to 150 ft. from driver
- Up to 4 independent control channels
- 0-10V lighting control
- Smooth, flicker-free dimming to 0.2%
- Drive current 2100 mA
- 88% efficiency rating
- Surge protection
- Up to 368 watts total output power
- Reduces heat at fixture; protects LEDs
- NRTL listed
- Wide range input 120 to 277 Vac, 50/60Hz

Model Options

Model #	Rated Output Voltage	Drive Current	Rated Output Power
94-04-2100-ANA-PI	20 to 43.8 Vdc	2100 mA	92.0 W
94-04-2100-ANA-PC	20 to 43.8 Vdc	2100 mA	92.0 W

EON-492 Specifications

Input

Rated Input Voltage; Frequency	120 to 277 Vac; 50/60 Hz
Input Voltage Range; Frequency Range	108 to 305 Vac; 47 to 63 Hz
Rated Input Current	3.6 A @ 120 Vdc; 2.0 A @240 Vdc; 1.6 A @ 277 Vdc
Maximum Input Power	428 W
Power Factor EN61000-3-2	@120 Vac 0.99 W/VA; @277 Vac 0.92 W/VA typical, 100% load
DC Voltage Operation	125 Vdc to 277 Vdc
Inrush Current	60 Apk @ peak 1/2 sinewave 120 Vac
Input Current Total Harmonic Distortion	@120 or 277 Vac 13% typical, 100% load

Output

Rated Output Power	368 W max
Maximum Open Circuit Output Voltage	46 Vdc, no load
Constant Current Ripple and Noise	20 MHz Bandwith, 1.0 Vpk-pk typical
Efficiency	Full load @120 Vac (no load on auxiliary output); 88% typical
System Power Cycle Delay	0.9 second typical
Output Current Tolerance	+/-5 % of nominal

System Protection

Output	Over voltage, over current, short circuit protection
--------	--

Safety and EMI/EMC

Agency Approvals	LVD 2006/95/EU, UL 60950-1, CB Scheme 60950-1
EN 55015	CISPR 15
EN 61547	EMC Immunity Requirements
EN 610003-2	Harmonic Emissions Test
EN 61000-3-3	Fluctuations and Flicker Test

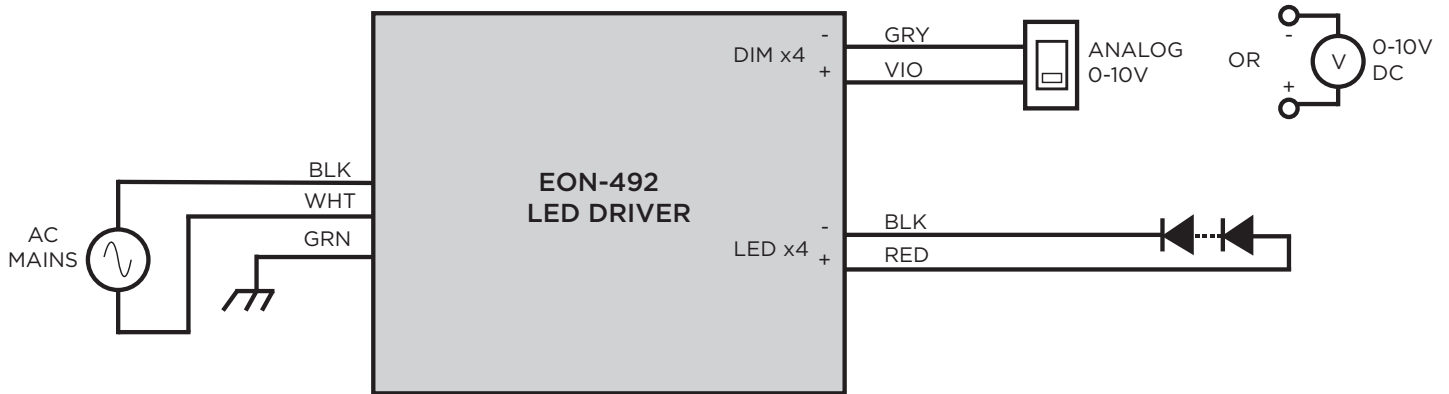
Environmental

Location Rating	Dry Location
Operating Ambient Temperature	-20°C to 40°C / -4°F to 104°F
Storage Ambient Temperature	-40°C to 80°C/ -40°F to 176°F
Relative Humidity	5% to 95% noncondensing

Control Interface

Control Method	Analog 0-10 Vdc, IEC 60929 Annex E Outputs 0.5 mA max or variable 0-10 Vdc Voltage Source; Class 2 outputs.
Loss of Analog Input Signal	Outputs will go to 100% light intensity in less than 1 second

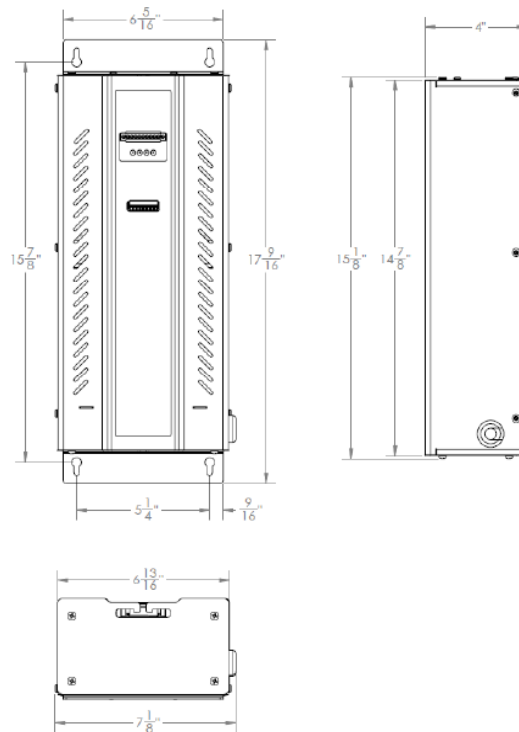
Wiring Diagram



Mechanical Features

Dimensions (L x W x H)	17.6" (447mm) x 6.72" (170.69mm) x 3.82" (97.0mm)
Enclosure	Powder Coated Metal
Weight	14.3 lbs

Dimensions



For more information, please contact:

+1 (727) 827-2805

sales@lumastream.com

LumaStream, Inc. reserves the right to make changes without further notice to any products herein to improve reliability, function, or design. LumaStream does not assume any liability arising out of the application or use of any product described herein; neither does it convey any license under its patent rights, nor the rights of others.

LSPS19 / EON-492

