

Installation Instructions

ATTENTION

Fixture only to be connected to a **constant current (C.C.)** low-voltage power source with a maximum output of 1000mA. Connection to any other power source voids warranty.

Owner/User Responsibilities: It is the responsibility of the contractor, installer, buyer, owner and user to install, maintain and operate this luminaire in accordance with all laws, building codes, regulations and local Electrical Safety Authority requirements. This product is only to be installed by a qualified person.

Preparation

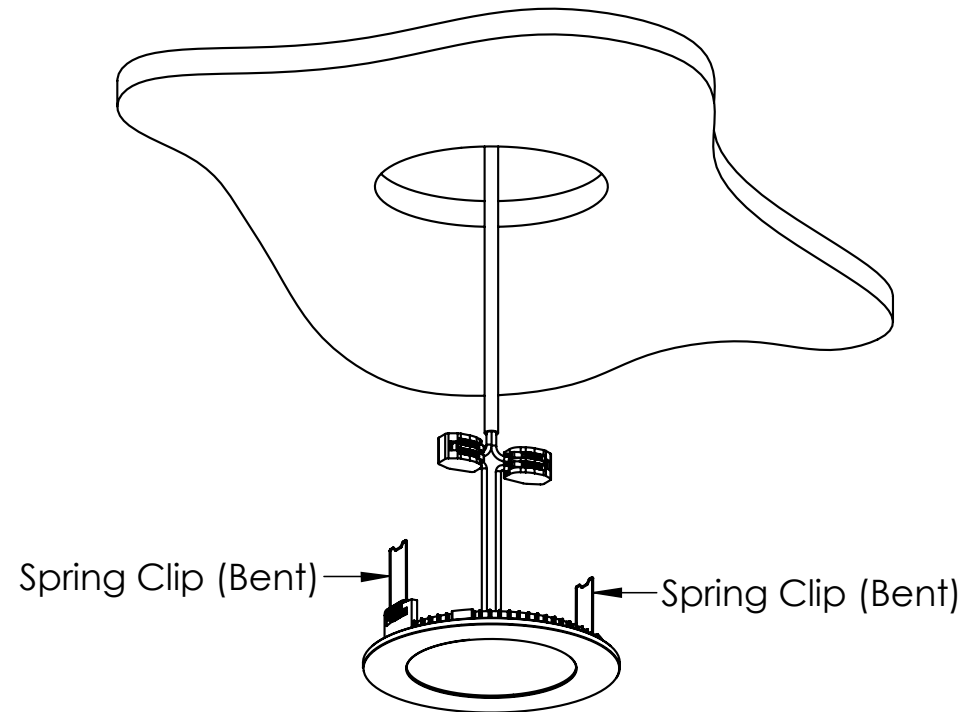
Shut off power at fuse box or circuit breaker before installation.

Installation

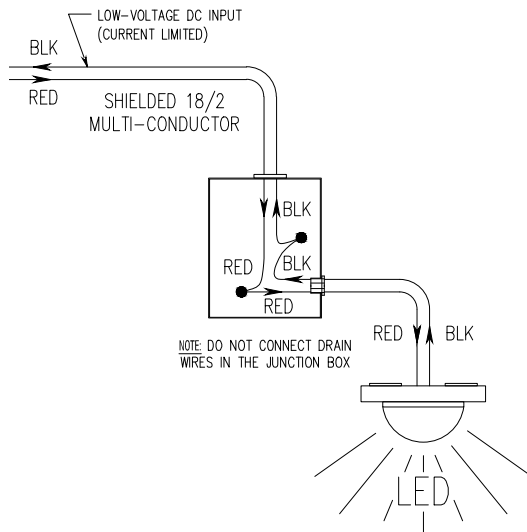
1. Cut hole in ceiling:
 - A. 404 fixture: 4-1/4"
 - B. 604 fixture: 6-1/4"
2. Route, connect, and secure wiring per local codes and standards. Refer to wiring diagrams on last page for details.
3. While bending Spring Clips, guide fixture and wiring into hole until fixture flange is against ceiling.
4. Turn power on and test fixture.

Care and Maintenance

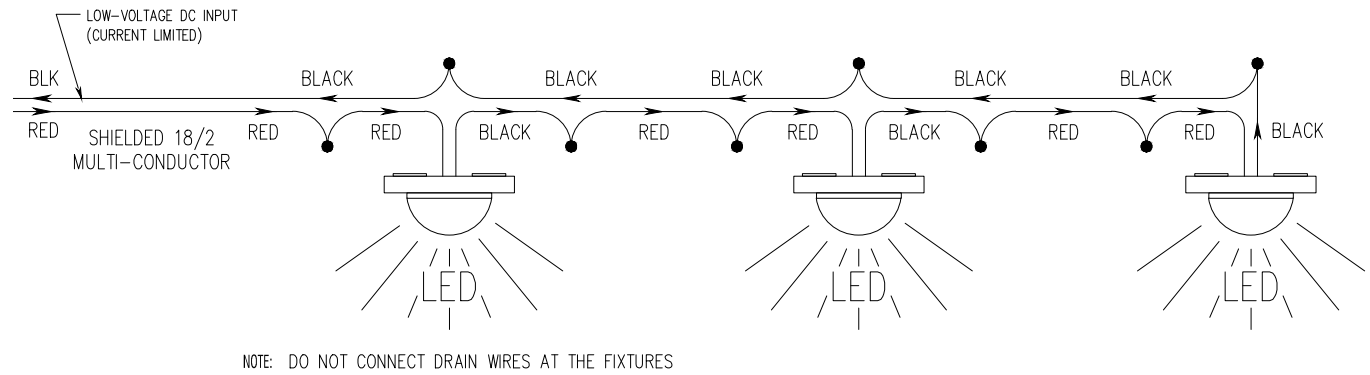
Clean with soft, dry cloth. Do not use abrasives.



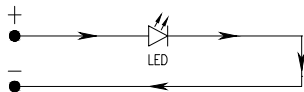
SINGLE FIXTURE CONNECTION



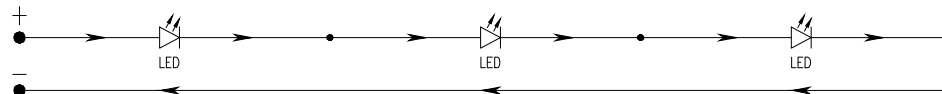
MULTI-SERIES CONNECTION



SINGLE FIXTURE CONNECTION



MULTI-SERIES CONNECTION



For more information, please contact:
+1 (727) 827-2805
sales@lumastream.com

LumaStream, Inc. reserves the right to make changes without further notice to any products herein to improve reliability, function, or design. LumaStream does not assume any liability arising out of the application or use of any product described herein; neither does it convey any license under its patent rights, nor the rights of others.