

# 695 Cylinder

## 6" High Lumen Cylinder

Commercial series, high lumen cylinder with multiple lens options.

Schedule ID	
Part Number	
Notes	



### Product Description

This smooth dimming, flicker-free fixture features multiple lens options and a variety of beam angles for flexible lighting design. This Class 2 solution contains no electronics in the fixture. The dimming control, power conversion and constant current drivers for multiple fixtures are housed in a remote DC, intelligent power supply, which can be located up to 150' away from the fixtures.

Suitable for damp locations.

**Ideal applications:** house of worship, hospitality, retail, commercial, architectural lighting.

### Performance Summary

Light Output	9688 lumens
CCT	2700K, 3000K, 3500K, 4000K
CRI	80+
Compatible Power Supplies	94-04-2100-ANA-XX
Forward Voltage	39 Vf max
Lifetime	50,000+ hours
Warranty	5-year limited warranty
Dimming	Dimmable to 0.2%

### Ordering Information Example: 695-N27-OB-CM

Base	Beam	CCT	Lens	Finish*	Mount
<b>695</b>	<b>N</b> Narrow (43°) <b>M</b> Medium (59°) <b>W</b> Wide (67°)	<b>27</b> 2700K <b>30</b> 3000K <b>35</b> 3500K <b>40</b> 4000K	<b>O</b> Open <b>C</b> Clear Polycarbonate <b>F</b> Frosted Glass <b>A</b> Frosted Acrylic <b>P</b> Prismatic Glass <b>S</b> Solite Micro-Prismatic <b>T</b> Tempered Glass	<b>B</b> Black <b>Z</b> Bronze <b>W</b> White	<b>CM</b> Ceiling Mount <b>WM</b> Wall Mount <b>PM10</b> Pendant Mount, 10' Cord <b>SM12</b> Pendant Mount, 12" Stem <b>SM24</b> Pendant Mount, 24" Stem <b>SM36</b> Pendant Mount, 36" Stem <b>SM48</b> Pendant Mount, 48" Stem <b>SM60</b> Pendant Mount, 60" Stem

\*Please contact your LumaStream representative for additional custom finish options available

# 695 Cylinder Specifications

## Light Output

Drive Current	Beam Dist	Lumens	Lumens Per Watt	Watts	CRI
2100 mA	N	9210	112	82	80+
2100 mA	M	8845	108	82	80+
2100 mA	W	8965	109	82	80+

## Luminaire Distribution

Drive Current	Control Input	Channels	Zones	Max Fixtures
2100 mA	Analog 0-10V	4	4	4

## Certifications & Qualifications

ETL Certified to UL 1598	Yes
Suitable for Damp Locations	Yes

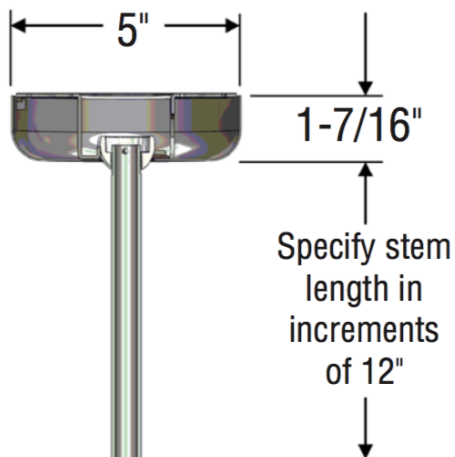
## Mechanical Specifications



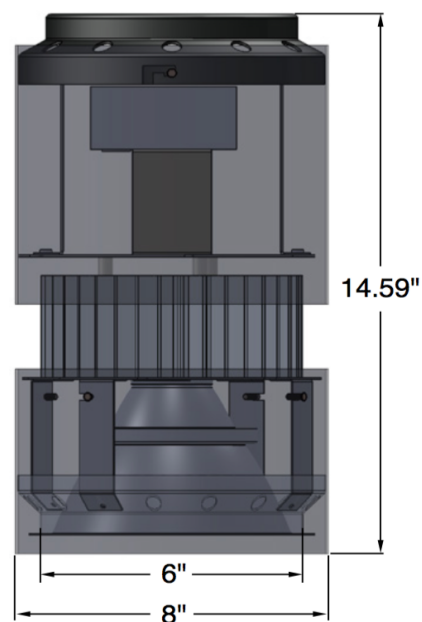
Wall Mount



Pendant Mount /  
Cord Mount



Stem Mount



For more information, please contact:  
+1 (727) 827-2805  
sales@lumastream.com

LumaStream, Inc. reserves the right to make changes without further notice to any products herein to improve reliability, function, or design. LumaStream does not assume any liability arising out of the application or use of any product described herein; neither does it convey any license under its patent rights, nor the rights of others.



Rev: 5/08/2018