

694 Downlight

6" Adjustable Square Wall Wash

Commercial series, adjustable square downlight.

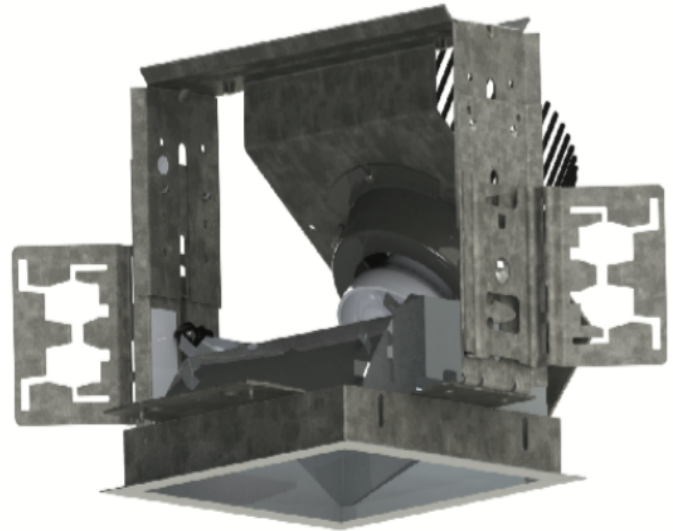
Product Description

This smooth dimming, flicker-free fixture features a variety of beam angles for flexible lighting design. This Class 2 solution contains no electronics in the fixture. The dimming control, power conversion and constant current drivers for multiple fixtures are housed in a remote DC, intelligent power supply, which can be located up to 150' away from the fixtures.

Suitable for damp locations.

Ideal applications: house of worship, hospitality, retail, commercial, architectural lighting.

Schedule ID	
Part Number	
Notes	



Performance Summary

Light Output	1790 - 3632 lumens
CCT	2700K, 3000K, 3500K, 4000K
CRI	80+
Compatible Power Supplies	70-12-0350-XXX
	70-12-0450-XXX
	70-09-0500-XXX
	70-08-0700-XXX
	70-06-0700-XXX
Forward Voltage	36 Vf max
Lifetime	50,000+ hours
Warranty	5-year limited warranty
Dimming	Dimmable to 0.2%

*Please consult with your LumaStream account manager for pricing and lead times.

Ordering Information Example: 694-N27-AW

694	-		-	
Base	Beam	CCT	Lens	Trim
694	N Narrow (40°)	27 2700K	A Acrylic Micro-Linear	C Polished W White
	M Medium (52°)	30 3000K		
	W Wide (67°)	35 3500K		
	XW Extra Wide (77°)	40 4000K		

694 Downlight Specifications

Light Output

Drive Current	Beam Dist	Lumens	Lumens Per Watt	Watts	CRI
350 mA	N	1898	139	12.4	80+
350 mA	M	1850	136	12.4	80+
350 mA	W	1894	139	12.4	80+
350 mA	XW	1790	131	12.4	80+
450 mA	N	2350	134	17.5	80+
450 mA	M	2300	131	17.5	80+
450 mA	W	2339	134	17.5	80+
450 mA	XW	2141	122	17.5	80+
500 mA	N	2611	134	19.5	80+
500 mA	M	2555	131	19.5	80+
500 mA	W	2599	133	19.5	80+
500 mA	XW	2378	122	19.5	80+
700 mA	N	3632	135	26.9	80+
700 mA	M	3517	130	26.9	80+
700 mA	W	3631	134	26.9	80+
700 mA	XW	3493	129	26.9	80+

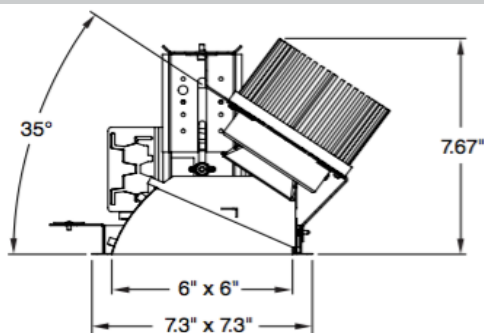
Luminaire Distribution

Drive Current	Control Input	Channels	Zones	Max Fixtures
350 mA	Analog 0-10V	12	4	12
500 mA	Analog 0-10V	9	3	9
700 mA	Analog 0-10V	6	2	6
350 mA	DMX	12	N/A	12
450 mA	DMX	12	N/A	12
500 mA	DMX	9	N/A	9
700 mA (70-08-0700-XXX)	DMX	8	N/A	8
700 mA (70-06-0700-XXX)	DMX	6	N/A	6

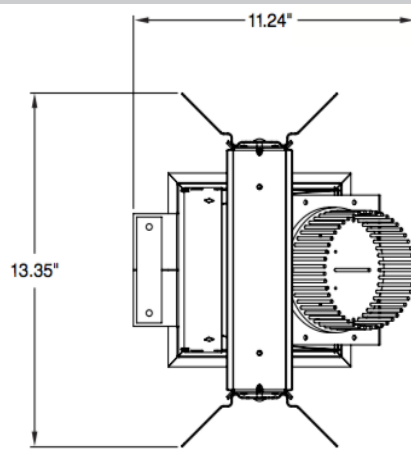
Certifications & Qualifications

ETL Certified to UL 1598	Yes
Suitable for Damp Locations	Yes

Mechanical Specifications



Rough Opening 6.75"



For more information, please contact:

+1 (727) 827-2805

sales@lumastream.com

LumaStream, Inc. reserves the right to make changes without further notice to any products herein to improve reliability, function, or design. LumaStream does not assume any liability arising out of the application or use of any product described herein; neither does it convey any license under its patent rights, nor the rights of others.



Intertek

Rev: 4/28/2017