

# 310 Pendant

## Mason Jar

Schedule ID	
Part Number	
Notes	

Beautiful custom pendant fixture with glass mason jar design.



### Product Description

This fully dimmable low-voltage LED fixture is custom made from Mason Jars. This Class 2 solution contains no electronics in the fixture. The dimming control, power conversion and constant current drivers for multiple fixtures are housed in a remote DC, Class 2 intelligent power supply, which can be located up to 150' away from the fixtures.

**Ideal applications:** hospitality, retail, architectural lighting.

### Performance Summary

Light Output	412 - 528 lumens
CCT	2700K, 3000K, 3500K, 4000K
CRI	90+ (2700K, 3000K), 80+ (3500K, 4000K)
Drive Current	500 mA, 700 mA
Forward Voltage	12 Vf max
Lifetime	50,000+ hours
Warranty	5-year limited warranty
Dimming	Dimmable to 0.2%

### Ordering Information Example: 310-WF30G-1005-MJ-B

310	-	-	-	-	-	-	-
Base	Beam	CCT	Lens	Cord	Canopy	Shade	Trim Finish
<b>310</b>	<b>WF</b> Wide Flood	<b>27</b> 2700K <b>30</b> 3000K <b>35</b> 3500K <b>40</b> 4000K	<b>G</b> Globe	<b>05</b> 5' Cord <b>10</b> 10' Cord <b>15</b> 15' Cord	<b>05</b> 5" Canopy	<b>MJ</b> Mason Jar	<b>B</b> Black <b>C</b> Clear (Brushed Aluminum) <b>W</b> White

# 310 Mason Jar Pendant Specifications

## Light Output

Drive Current	CCT	Lumens	Voltage	Watts	Lumens/Watt	CRI
500 mA	3000K	412	12	6	97	80+
700 mA	3000K	528	12	8.4	89	80+

\*\* For 2700K: multiply lumens by 0.93; 3500K: multiply lumens by 1.28; 4000K: multiply lumens by 1.41.

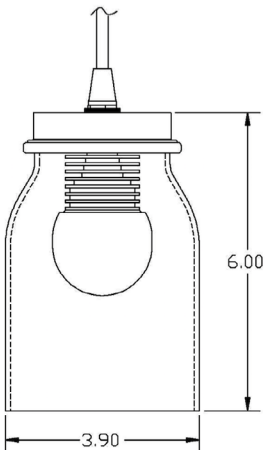
## Construction & Materials

Weight	1.15 lbs
Material	Glass, Aluminum
Optics	Acrylic
Lenses	Acrylic
Operating Temperature	-4°F to 113°F / -20°C to 45°C
Mounting Options	Universal Plate & Junction Box

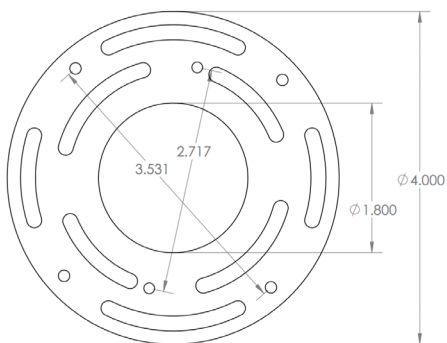
## Certifications & Qualifications

TUV Certified to UL 1598	Yes
Suitable for Damp Locations	Yes
RoHS Compliant	Yes

## Mechanical Specifications



## Universal Adapter



For more information, please contact:

+1 (727) 827-2805

sales@lumastream.com

LumaStream, Inc. reserves the right to make changes without further notice to any products herein to improve reliability, function, or design. LumaStream does not assume any liability arising out of the application or use of any product described herein; neither does it convey any license under its patent rights, nor the rights of others.

LS0170 / 310 Pendant



Rev: 5/03/2017