

450 Sconce

Interior/Exterior

Schedule ID	
Part Number	
Notes	



Downlight wall sconce.

Product Description

This fully dimmable low-voltage LED fixture creates beautiful accents with downlighting applications. This Class 2 solution contains no electronics in the fixture. The dimming control, power conversion and constant current drivers for multiple fixtures are housed in a remote DC, Class 2 intelligent power supply, which can be located up to 150' away from the fixtures.

Ideal applications: hospitality, retail, architectural lighting.

Performance Summary

Light Output	555 - 825 lumens
CCT	2700K*, 3000K, 3500K*, 4000K
CRI	90+ (2700K*, 3000K), 80+ (3500K*, 4000K)
Drive Current	700 mA, 1000 mA
Forward Voltage	12 Vf max
Lifetime	50,000+ hours
Warranty	5-year limited warranty
Dimming	Dimmable to 0.2%

*Please consult with your LumaStream account manager for pricing and lead times.

Ordering Information Example: 450-N30S-0205-C

450	-		-		-	
Base	Beam	CCT	Lens	Arm	Canopy	Color
450	N Narrow (34°) W Wide (50°)	27 2700K 30 3000K 35 3500K 40 4000K	C Clear S Soft Diffuse	02 2" Arm	05 5" Canopy	B Black C Clear (Brushed Aluminum)

450 Sconce Specifications

Light Output

Drive Current	CCT	Lumens	Voltage	Watts	Lumens/Watt	CRI
700 mA	3000K	555	11.2	7.8	71	90+
1000 mA	3000K	742	11.4	11.4	65	90+

** For 2700K: multiply lumens by 0.93; 3500K: multiply lumens by 1.28; 4000K: multiply lumens by 1.41.

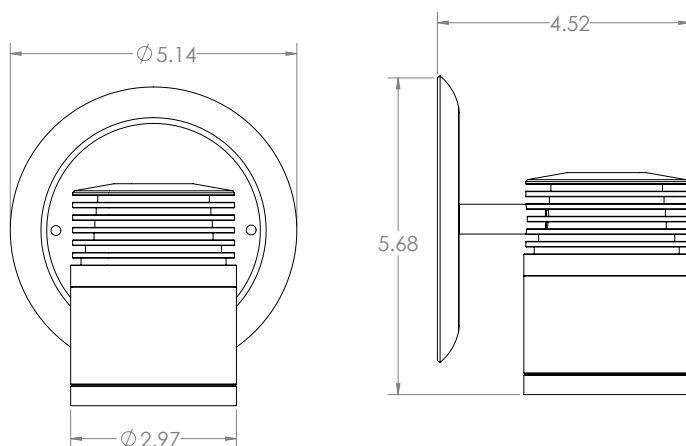
Construction & Materials

Weight	0.69 lbs
Material	Anodized Aluminum
Optics	Polycarbonate
Lenses	Acrylic
Operating Temperature	-4°F to 113°F / -20°C to 45°C
Mounting Options	Universal Plate & Junction Box

Certifications & Qualifications

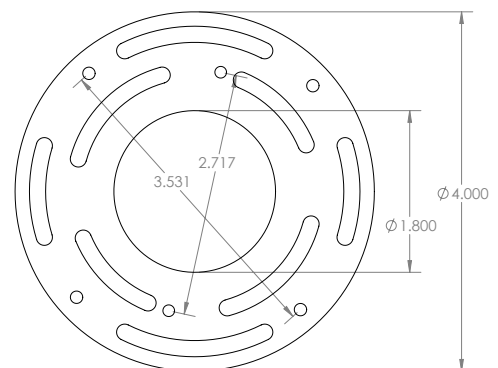
TUV Certified to UL 1598	Yes
Suitable for Damp Locations	Yes
RoHS Compliant	Yes

Mechanical Specifications



SCALE 1 : 1.5

Universal Adapter



For more information, please contact:

+1 (727) 827-2805

sales@lumastream.com

LumaStream, Inc. reserves the right to make changes without further notice to any products herein to improve reliability, function, or design. LumaStream does not assume any liability arising out of the application or use of any product described herein; neither does it convey any license under its patent rights, nor the rights of others.

LS0160 / 450 Sconce



Rev: 5/09/2017