

451 Sconce

Interior/Exterior

Directional sconce with open cylinder design.

Schedule ID	
Part Number	
Notes	



Product Description

This fully dimmable low-voltage LED fixture creates beautiful accents for downlighting applications. This Class 2 solution contains no electronics in the fixture. The dimming control, power conversion and constant current drivers for multiple fixtures are housed in a remote DC, Class 2 intelligent power supply, which can be located up to 150' away from the fixtures.

Ideal applications: hospitality, retail, architectural lighting.

Performance Summary

Light Output	523 - 745 lumens
CCT	2700K, 3000K, 3500K, 4000K
CRI	90+ (2700K, 3000K), 80+ (3500K, 4000K)
Drive Current	450 mA, 500 mA, 700 mA
Forward Voltage	12 Vf max
Lifetime	50,000+ hours
Warranty	5-year limited warranty
Dimming	Dimmable to 0.2%

Ordering Information Example: 451-N30S-05-C

451	-	-	-	-	-
Base	Beam	CCT	Lens	Canopy	Finish
451	N Narrow (18°) M Medium (34°) W Wide (50°)	27 2700K 30 3000K 35 3500K 40 4000K	C Clear S Soft Diffuse (6%)	05 5" Canopy	B Black C Clear (Brushed Aluminum) G Green

451 Sconce Specifications

Light Output

Drive Current	CCT	Lumens	Voltage	Watts	Fixtures/Ch.	Fixtures/PS	Power Supply
450 mA - 40V	3000K	523	12	5.4	3	36	70-12-0450-XXX-X
500 mA - 47V	3000K	581	12	6	3	27	70-09-0500-XXX-X
700 mA - 40V	3000K	745	12	8.4	3	24	70-08-0700-XXX-X
700 mA - 47V	3000K	745	12	8.4	3	18	70-06-0700-XXX-X
700 mA - 27V	3000K	745	12	8.4	2	24	66-12-0700-XXX-X

Lumen values based on wide optic, 3000k. For 2700k multiply by .93, 3500k by 1.28, 4000k by 1.41.

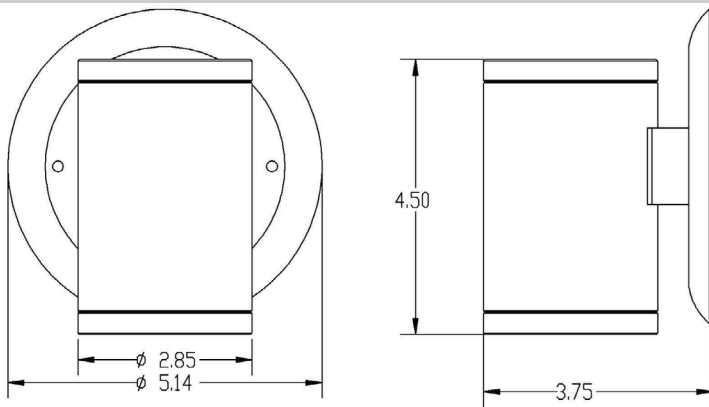
Construction & Materials

Weight	1.30 lbs
Material	Milled, Anodized Aluminum
Optics	Polycarbonate
Lenses	Acrylic
Operating Temperature	-4°F to 113°F / -20°C to 45°C
Mounting Options	Universal Plate & Junction Box

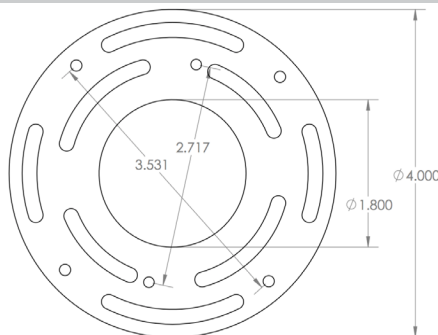
Certifications & Qualifications

TUV Certified to UL 1598	Yes
Suitable for Wet Locations	Yes
RoHS Compliant	Yes

Mechanical Specifications



Universal Adapter



For more information, please contact:

+1 (727) 827-2805

sales@lumastream.com

LumaStream, Inc. reserves the right to make changes without further notice to any products herein to improve reliability, function, or design. LumaStream does not assume any liability arising out of the application or use of any product described herein; neither does it convey any license under its patent rights, nor the rights of others.

LS0166 / 451



Rev: 5/09/2017