

# 452 Sconce

## Up-Down

Bidirectional sconce with open cylinder design.

<b>Schedule ID</b>	
<b>Part Number</b>	
<b>Notes</b>	



### Product Description

This fully dimmable low-voltage LED fixture provides both up and downlighting. This Class 2 solution contains no electronics in the fixture. The dimming control, power conversion and constant current drivers for multiple fixtures are housed in a remote DC, Class 2 intelligent power supply, which can be located up to 150' away from the fixtures.

**Ideal applications:** hospitality, retail, architectural lighting.

### Performance Summary

Light Output	1046 - 1490 lumens
CCT	2700K, 3000K, 3500K, 4000K
CRI	90+ (2700K, 3000K), 80+ (3500K, 4000K)
Drive Current	450 mA, 500 mA, 700 mA
Forward Voltage	24 Vf max
Lifetime	50,000+ hours
Warranty	5-year limited warranty
Dimming	Dimmable to 0.2%

### Ordering Information Example: 452-N30S-05-C

Base	Beam	CCT	Lens	Canopy	Finish
<b>452</b>	<b>N</b> Narrow (18°) <b>M</b> Medium (34°) <b>W</b> Wide (50°)	<b>27</b> 2700K <b>30</b> 3000K <b>35</b> 3500K <b>40</b> 4000K	<b>C</b> Clear <b>S</b> Soft Diffuse <b>F</b> Full Diffuse	<b>05</b> 5" Canopy	<b>B</b> Black <b>C</b> Clear (Brushed Aluminum) <b>G</b> Green

# 452 Sconce Specifications

## Light Output

Drive Current	CCT	Lumens	Voltage	Watts	Fixtures/Ch.	Fixtures/PS	Power Supply
450 mA - 40V	3000K	1046	24	10.8	1	12	70-12-0450-XXX-X
500 mA - 47V	3000K	1162	24	12	1	9	70-09-0500-XXX-X
700 mA - 40V	3000K	1490	24	16.8	1	8	70-08-0700-XXX-X
700 mA - 47V	3000K	1490	24	16.8	1	6	70-06-0700-XXX-X
700 mA - 27V	3000K	1490	24	8.4	1	12	66-12-0700-XXX-X

\*\* For 2700K: multiply lumens by 0.93; 3500K: multiply lumens by 1.28; 4000K: multiply lumens by 1.41.

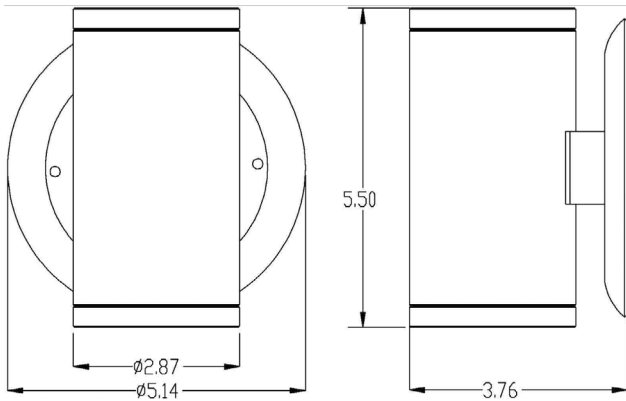
## Construction & Materials

Weight	1.60 lbs
Material	Milled Aluminum, Extruded Aluminum
Optics	Polycarbonate
Lenses	Acrylic
Operating Temperature	-4°F to 113°F / -20°C to 45°C
Mounting Options	Universal Plate & Junction Box

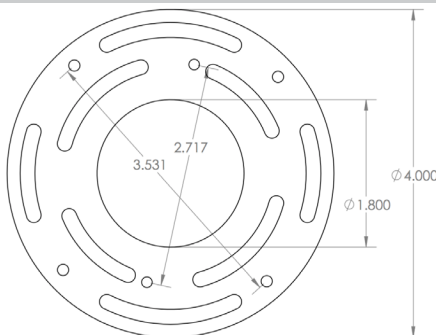
## Certifications & Qualifications

TUV Certified to UL 1598	Yes
Suitable for Wet Locations	Yes
RoHS Compliant	Yes

## Mechanical Specifications



## Universal Adapter



For more information, please contact:  
 +1 (727) 827-2805  
[sales@lumastream.com](mailto:sales@lumastream.com)

LumaStream, Inc. reserves the right to make changes without further notice to any products herein to improve reliability, function, or design. LumaStream does not assume any liability arising out of the application or use of any product described herein; neither does it convey any license under its patent rights, nor the rights of others.

LS0161 / 452 Up-Down Sconce



Rev: 5/09/2017