

454 Sconce

Up-Down Rectangular

Bidirectional sconce with rectangular shade.

Schedule ID	
Part Number	
Notes	



Product Description

This fully dimmable low-voltage LED fixture provides both up lighting and downlighting. This Class 2 solution contains no electronics in the fixture. The dimming control, power conversion and constant current drivers for multiple fixtures are housed in a remote DC, Class 2 intelligent power supply, which can be located up to 150' away from the fixtures.

Ideal applications: hospitality, retail, architectural lighting.

Performance Summary

Light Output	766 - 1489 lumens
CCT	90+ (2700K, 3000K), 80+ (3500K, 4000K)
CRI	2700K, 3000K, 3500K, 4000K
Drive Current	500 mA, 700 mA
Forward Voltage	24 Vf max
Lifetime	50,000+ hours
Warranty	5-year limited warranty
Dimming	Dimmable to 0.2%

Ordering Information Example: 454-N30S-05-C

454	-	-	-	-	-
Base	Beam	CCT	Lens	Canopy	Finish
454	N Narrow (18°) M Medium (34°) W Wide (50°)	27 2700K 30 3000K 35 3500K 40 4000K	C Clear S Soft Diffuse	05 5" Canopy Round	B Black C Clear (Brushed Aluminum)

454 Sconce Specifications

Light Output

Drive Current	CCT	Lumens	Voltage	Watts	Lumens/Watt	CRI
500 mA	3000K	824	24	12	194	80+
700 mA	3000K	1056	24	16.8	178	80+

** For 2700K: multiply lumens by 0.93; 3500K: multiply lumens by 1.28; 4000K: multiply lumens by 1.41.

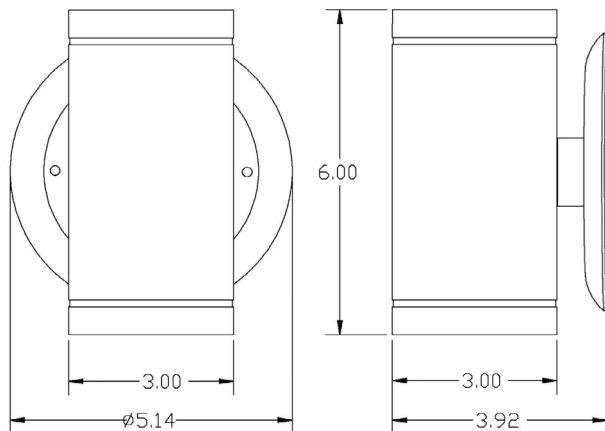
Construction & Materials

Weight	2.0 lbs
Material	Milled Aluminum, Anodized
Optics	Polycarbonate
Lenses	Acrylic
Operating Temperature	-4°F to 113°F / -20°C to 45°C
Mounting Options	Universal Plate & Junction Box

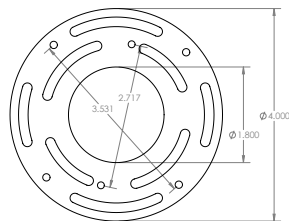
Certifications & Qualifications

TUV Certified to UL 1598	Yes
Suitable for Damp Locations	Yes
RoHS Compliant	Yes

Mechanical Specifications



Universal Adapter



For more information, please contact:

+1 (727) 827-2805

sales@lumastream.com

LumaStream, Inc. reserves the right to make changes without further notice to any products herein to improve reliability, function, or design. LumaStream does not assume any liability arising out of the application or use of any product described herein; neither does it convey any license under its patent rights, nor the rights of others.

LS0162 / 454 Sconce



Rev: 5/09/2017