

# 481 Downlight

## 4" Recessed

Schedule ID	
Part Number	
Notes	

Architectural Series downlight with multiple trim options, including **trimless**. Superior efficiency, reliability and flexible design.



### Product Description

This fully dimmable low-voltage LED fixture is available in 2 power levels, 18V and 36V. Multiple finish and trim options create beautiful combinations that blend with any design. Regressed light source to minimize glare. This Class 2 solution contains no electronics in the fixture. The dimming control, power conversion and constant current drivers for multiple fixtures are housed in a remote DC, Class 2 intelligent power supply, which can be located up to 150' away from the fixtures.

**Ideal applications:** residential, hospitality, retail, architectural lighting.

### Performance Summary

Light Output	582 (18V) - 1663 (36V) lumens
CCT	2700K, 3000K, 3500K*, 4000K*
CRI	90+
Compatible Power Supplies	<b>Optimal Power Supply for 480 Series</b> 70-12-0450-40D-X
	<b>Alternative Compatible Power Supplies</b> 70-12-0350-XXX-X
	70-09-0500-XXX-X
Forward Voltage	18 Vf, 2 per channel
	36 Vf, 1 per channel
Adjustable	18V adjusts 20° vertically
Lifetime	70,000+ hours
Warranty	5-year limited warranty
Dimming	Dimmable to 0.2%

\*Please consult with your LumaStream account manager for pricing and lead times.

### Ordering Information Example: 481-N30S-18-WW

Base	Beam	CCT	Lens	Series	Baffle Finish	Trim Finish
<b>481</b>	<b>N</b> Narrow (20°) <b>M</b> Medium (28°) <b>W</b> Wide (40°)	<b>27</b> 2700K <b>30</b> 3000K <b>35</b> 3500K <b>40</b> 4000K	<b>C</b> Clear <b>E</b> Elliptical <b>F</b> Full Diffuse <b>H</b> Honeycomb <b>S</b> Soft Diffuse	<b>18</b> Adjustable 18V <b>TL</b> Adjustable 18V Trimless <b>36</b> Fixed 36V	<b>B</b> Black <b>W</b> White <b>C</b> Clear <small>(Anodized Aluminum)</small> <b>S</b> Black Stepped <b>N</b> Nickel Satin	<b>B</b> Black <b>W</b> White <b>X</b> Chrome Plated <b>Z</b> Bronze <b>A</b> Gold Plated <b>N</b> Matte Nickel <b>C</b> Clear <small>(Anodized Aluminum)</small>

# 481 Downlight Specifications

## Light Output

Drive Current	CCT*	Lumens	Voltage	Watts	Fixtures/Ch	Fixtures/PS	Compatible Power Supplies
<b>Optimal Power Supply for 480 Series</b>							
450 mA - 40 V	3000K	748	18	8.1	2	24	70-12-0450-XXX-X
450 mA - 40 V	3000K	1496	36	16.2	1	12	70-12-0450-XXX-X
<b>Alternative Compatible Power Supplies</b>							
350 mA - 47 V	3000K	582	18	6.3	2	24	70-12-0350-XXX-X
500 mA - 47 V	3000K	832	18	9	2	18	70-09-0500-XXX-X
350 mA - 47 V	3000K	1240	36	12.6	1	12	70-12-0350-XXX-X
500 mA - 47 V	3000K	1663	36	18	1	9	70-09-0500-XXX-X

\*Lumens based on wide optic, no lens, 3000K. For 2700K: multiply lumens by 0.86, 3500K: multiply lumens by 1.05, 4000K: multiply lumens by 1.08.

## Construction & Materials

Dimensions	3 1/2" to 3 7/8" H x 5.0" W
Weight	0.80 lbs
Material	Die Cast / Spun Aluminum, Steel
Optics	Polycarbonate
Lenses	Clear or Soft Diffuse Glass
Operating Temperature	-4°F to 104°F / -20°C to 40°C
Housing Options (See housing spec for more details)	Non-IC rated: HSN-14-R-NI IC rated: HSN-14-R-IC

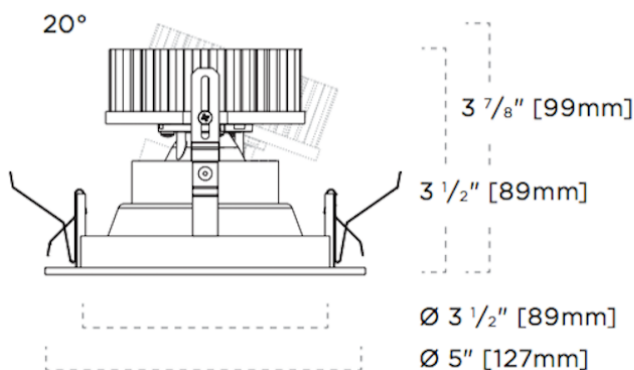
## Certifications & Qualifications

ETL Certified to UL 1598	Yes
Suitable for Damp Locations	Yes
RoHS Compliant	Yes
LM79 Tested	Yes

## Mechanical Specifications

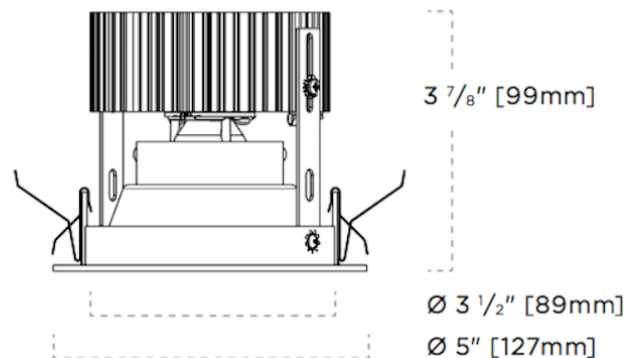
### Adjustable Downlight

**18 Volt** (6.3W - 9W) 2 per channel



### Fixed Downlight

**36 Volt** (12.6W - 18W) 1 per channel



For more information, please contact:

+1 (727) 827-2805

sales@lumastream.com

LumaStream, Inc. reserves the right to make changes without further notice to any products herein to improve reliability, function, or design. LumaStream does not assume any liability arising out of the application or use of any product described herein; neither does it convey any license under its patent rights, nor the rights of others.

LS0225 / 481 Downlight



Intertek

4/25/2017