

# 482 Downlight

## 4" Regressed

|             |  |
|-------------|--|
| Schedule ID |  |
| Part Number |  |
| Notes       |  |

Architectural Series **deep regressed** downlight with multiple trim options, including **trimless**.



### Product Description

This fully dimmable low-voltage LED fixture is adjustable in 2 power levels 18V and 36V. This Class 2 solution contains no electronics in the fixture. The dimming control, power conversion and constant current drivers for multiple fixtures are housed in a remote DC, Class 2 intelligent power supply, which can be located up to 150' away from the fixtures.

**Ideal applications:** residential, hospitality, retail, architectural lighting.

### Performance Summary

|                           |  |
|---------------------------|--|
| Light Output              | 624 (18V) - 1584 (36V) lumens  |
| CCT                       | 2700K, 3000K, 3500K*, 4000K*   |
| CRI                       | 90+  |
| Compatible Power Supplies | <b>Optimal Power Supply for 480 Series</b><br>70-12-0450-40D-X<br><b>Alternative Compatible Power Supplies</b><br>70-12-0350-XXX-X<br>70-09-0500-XXX-X |
| Forward Voltage           | 18 Vf, 2 per channel<br>36 Vf, 1 per channel   |
| Lifetime                  | 70,000+ hours  |
| Warranty                  | 5-year limited warranty  |
| Dimming                   | Dimmable to 0.2%   |

\*Please consult with your LumaStream account manager for pricing and lead times.

### Ordering Information Example: 482-N30S-18-WW

| Base       | Beam  | CCT  | Lens   | Series   | Baffle Finish   | Trim Finish  |
|------------|---|--|--|--|---|--|
| <b>482</b> | <b>N</b> Narrow (20°)<br><b>M</b> Medium (28°)<br><b>W</b> Wide (40°) | <b>27</b> 2700K<br><b>30</b> 3000K<br><b>35</b> 3500K<br><b>40</b> 4000K | <b>C</b> Clear<br><b>E</b> Elliptical<br><b>F</b> Full Diffuse<br><b>H</b> Honeycomb<br><b>S</b> Soft Diffuse (6%) | <b>18</b> Fixed 18V<br><b>TL</b> Fixed 18V Trimless<br><b>36</b> Fixed 36V | <b>B</b> Black<br><b>W</b> White<br><b>C</b> Clear (Anodized Aluminum)<br><b>N</b> Nickel Satin | <b>B</b> Black<br><b>W</b> White<br><b>C</b> Clear (Anodized Aluminum)<br><b>X</b> Chrome Plated<br><b>Z</b> Bronze<br><b>A</b> Gold Plated<br><b>N</b> Matte Nickel |

# 482 Downlight Specifications

## Light Output

| Drive Current                                | CCT*  | Lumens | Voltage | Watts | Fixtures/Ch | Fixtures/PS | Compatible Power Supplies |
|--|-------|--------|---------|-------|-------------|-------------|---------------------------|
| <b>Optimal Power Supply for 480 Series</b>   |       |        |         |       |             |             |                           |
| 450 mA - 40 V                                | 3000K | 767    | 18      | 8.1   | 2           | 24          | 70-12-0450-XXX-X          |
| 450 mA - 40 V                                | 3000K | 1534   | 36      | 16.2  | 1           | 12          | 70-12-0450-XXX-X          |
| <b>Alternative Compatible Power Supplies</b> |       |        |         |       |             |             |                           |
| 350 mA - 47 V                                | 3000K | 624    | 18      | 6.3   | 2           | 24          | 70-12-0350-XXX-X          |
| 500 mA - 47 V                                | 3000K | 792    | 18      | 9     | 2           | 18          | 70-09-0500-XXX-X          |
| 350 mA - 47 V                                | 3000K | 1248   | 36      | 12.6  | 1           | 12          | 70-12-0350-XXX-X          |
| 500 mA - 47 V                                | 3000K | 1584   | 36      | 18    | 1           | 9           | 70-09-0500-XXX-X          |

\*Lumens based on wide optic, no lens, 3000K. For 2700K: multiply lumens by 0.86, 3500K: multiply lumens by 1.05, 4000K: multiply lumens by 1.08.

## Construction & Materials

|  |  |
|--|--|
| Dimensions   | 4 1/2" to 4 7/8" H x 5.0"W                         |
| Weight   | 0.80 lbs   |
| Material   | Die Cast / Spun Aluminum, Steel                    |
| Optics   | Polycarbonate                                      |
| Lenses   | Clear or Soft Diffuse Glass                        |
| Operating Temperature                                  | -4°F to 104°F / -20°C to 40°C                      |
| Housing Options<br>(See housing spec for more details) | Non-IC rated: HSN-14-R-NI<br>IC rated: HSN-14-R-IC |

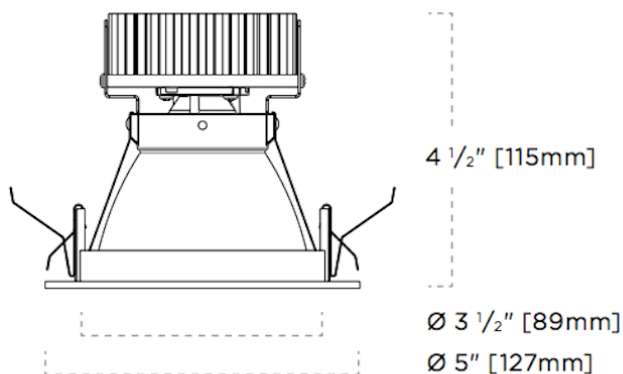
## Certifications & Qualifications

|                             |     |
|-----------------------------|-----|
| ETL Certified to UL 1598    | Yes |
| Suitable for Damp Locations | Yes |
| RoHS Compliant              | Yes |
| LM79 Tested                 | Yes |

## Mechanical Specifications

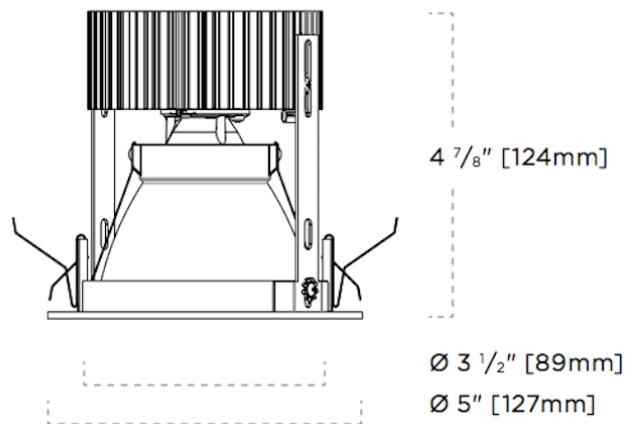
### Adjustable Downlight

**18 Volt** (6.3W - 9W) 2 per channel



### Fixed Downlight

**36 Volt** (12.6W - 18W) 1 per channel



For more information, please contact:  
 +1 (727) 827-2805  
 sales@lumastream.com

LumaStream, Inc. reserves the right to make changes without further notice to any products herein to improve reliability, function, or design. LumaStream does not assume any liability arising out of the application or use of any product described herein; neither does it convey any license under its patent rights, nor the rights of others.

LS0227 / 482 Downlight



4/25/2017