

# 483 Downlight

## 4" Lensed

Schedule ID	
Part Number	
Notes	

Architectural Series **lensed** downlight with multiple trim options.



### Product Description

This fully dimmable low-voltage LED fixture is available in 2 power levels 18V and 36V. It features a rounded trim option and listed for wet locations. This Class 2 solution contains no electronics in the fixture. The dimming control, power conversion and constant current drivers for multiple fixtures are housed in a remote DC, Class 2 intelligent power supply, which can be located up to 150' away from the fixtures.

**Ideal applications:** residential, hospitality, retail, architectural lighting.

### Performance Summary

Light Output	586 (18V) - 1672 (36V) lumens
CCT	2700K, 3000K, 3500K*, 4000K*
CRI	90+
Compatible Power Supplies	<b>Optimal Power Supply for 480 Series</b> 70-12-0450-40D-X
	<b>Alternative Compatible Power Supplies</b> 70-12-0350-XXX-X
	70-09-0500-XXX-X
Forward Voltage	18 Vf, 2 per channel
	36 Vf, 1 per channel
Adjustable	18V adjusts 20° vertically
Lifetime	70,000+ hours
Warranty	5-year limited warranty
Dimming	Dimmable to 0.2%

\*Please consult with your LumaStream account manager for pricing and lead times.

### Ordering Information Example: 483-W30C-18-W

Base	Beam	CCT	Lens	Series	Trim Finish
<b>483</b>	<b>N</b> Narrow (20°) <b>M</b> Medium (28°) <b>W</b> Wide (40°)	<b>27</b> 2700K <b>30</b> 3000K <b>35</b> 3500K <b>40</b> 4000K	<b>C</b> Clear <b>S</b> Soft Diffuse (6%)	<b>18</b> Adjustable 18V <b>36</b> Fixed 36V	<b>B</b> Black <b>W</b> White <b>C</b> Clear (Anodized Aluminum) <b>X</b> Chrome Plated <b>Z</b> Bronze <b>N</b> Matte Nickel

# 483 Downlight Specifications

## Light Output

Drive Current	CCT*	Lumens	Voltage	Watts	Fixtures/Ch	Fixtures/PS	Compatible Power Supplies
<b>Optimal Power Supply for 480 Series</b>							
450 mA - 40 V	3000K	753	18	8.1	2	24	70-12-0450-XXX-X
450 mA - 40 V	3000K	1507	36	16.2	1	12	70-12-0450-XXX-X
<b>Alternative Compatible Power Supplies</b>							
350 mA - 47 V	3000K	586	18	6.3	2	24	70-12-0350-XXX-X
500 mA - 47 V	3000K	837	18	9	2	18	70-09-0500-XXX-X
350 mA - 47 V	3000K	1172	36	12.6	1	12	70-12-0350-XXX-X
500 mA - 47 V	3000K	1672	36	18	1	9	70-09-0500-XXX-X

\*Lumens based on wide optic, no lens, 3000K. For 2700K: multiply lumens by 0.86, 3500K: multiply lumens by 1.05, 4000K: multiply lumens by 1.08.

## Construction & Materials

Dimensions	4" to 4 3/8" H x 5.0"W
Weight	0.80 lbs
Material	Die Cast / Spun Aluminum, Steel
Optics	Polycarbonate
Lenses	Clear or Soft Diffuse Glass
Operating Temperature	-4°F to 104°F / -20°C to 40°C
Housing Options (See housing spec for more details)	Non-IC rated: HSN-14-R-NI IC rated: HSN-14-R-IC

## Certifications & Qualifications

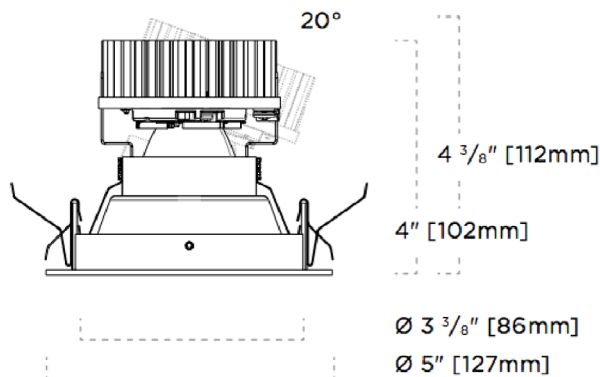
ETL Certified to UL 1598	Yes
Suitable for Wet Locations	Yes
RoHS Compliant	Yes
LM79 Tested	Yes

## Mechanical Specifications

### Adjustable Downlight

**18 Volt** (6.3W - 9W) 2 per channel

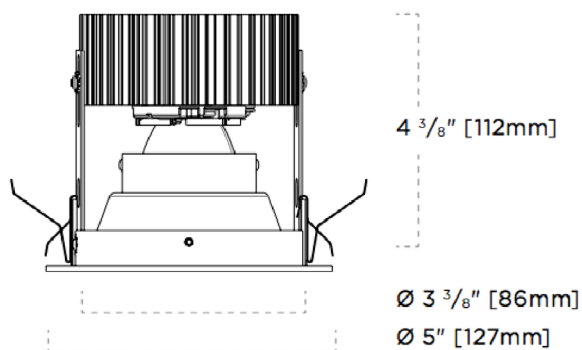
#### 3 SERIES



### Fixed Downlight

**36 Volt** (12.6W - 18W) 1 per channel

#### 5, 7 & 9 SERIES



For more information, please contact:

+1 (727) 827-2805

sales@lumastream.com

LumaStream, Inc. reserves the right to make changes without further notice to any products herein to improve reliability, function, or design. LumaStream does not assume any liability arising out of the application or use of any product described herein; neither does it convey any license under its patent rights, nor the rights of others.

LS0230 / 483 Downlight



5/03/2017