

485 Downlight

4" Lensed Square

Schedule ID	
Part Number	
Notes	



Architectural Series **lensed** downlight with multiple trim options.

Product Description

This fully dimmable low-voltage LED fixture is available in 2 power levels: 18V and 36V. It features a square trim option and is listed for damp locations. This Class 2 solution contains no electronics in the fixture. The dimming control, power conversion and constant current drivers for multiple fixtures are housed in a remote DC, Class 2 intelligent power supply, which can be located up to 150' away from the fixtures.

Ideal applications: residential, hospitality, retail, architectural lighting.

Performance Summary

Light Output	428 (18V) - 1233 (36V) lumens
CCT	2700K, 3000K, 3500K*, 4000K*
CRI	90+
Compatible Power Supplies	Optimal Power Supply for 480 Series
	70-12-0450-40D-X
	Alternative Compatible Power Supplies
	70-12-0350-XXX-X
	70-09-0500-XXX-X
Forward Voltage	18 Vf, 2 per channel
	36 Vf, 1 per channel
Lifetime	70,000+ hours
Warranty	5-year limited warranty
Dimming	Dimmable to 0.2%

*Please consult with your LumaStream account manager for pricing and lead times.

Ordering Information Example: 485-N30F-18-W

Base	Beam	CCT	Lens	Series	Trim Finish
485	N Narrow (20°) M Medium (28°) W Wide (40°)	27 2700K 30 3000K 35 3500K 40 4000K	C Clear S Soft Diffuse (6%)	18 Fixed 18V 36 Fixed 36V	B Black W White C Clear (Anodized Aluminum) Z Bronze N Matte Nickel

485 Downlight Specifications

Light Output

Drive Current	CCT*	Lumens	Voltage	Watts	Fixtures/Ch	Fixtures/PS	Compatible Power Supplies
Optimal Power Supply for 480 Series							
450 mA - 40 V	3000K	551	18	8.1	2	24	70-12-0450-XXX-X
450 mA - 40 V	3000K	1110	36	16.2	1	12	70-12-0450-XXX-X
Alternative Compatible Power Supplies							
350 mA - 47 V	3000K	428	18	6.3	2	24	70-12-0350-XXX-X
500 mA - 47 V	3000K	617	18	9	2	18	70-09-0500-XXX-X
350 mA - 47 V	3000K	857	36	12.6	1	12	70-12-0350-XXX-X
500 mA - 47 V	3000K	1233	36	18	1	9	70-09-0500-XXX-X

*Lumens based on wide optic, no lens, 3000K. For 2700K: multiply lumens by 0.86, 3500K: multiply lumens by 1.05, 4000K: multiply lumens by 1.08.

Construction & Materials

Dimensions	3 7/8" H x 4 5/8" W
Weight	0.80 lbs
Material	Die Cast / Spun Aluminum, Steel
Optics	Polycarbonate
Lenses	Clear or Soft Diffuse Glass
Operating Temperature	-4°F to 104°F / -20°C to 40°C
Housing Options (See housing spec for more details)	Non-IC rated: HSN-14-S-NI IC rated: HSN-14-S-IC

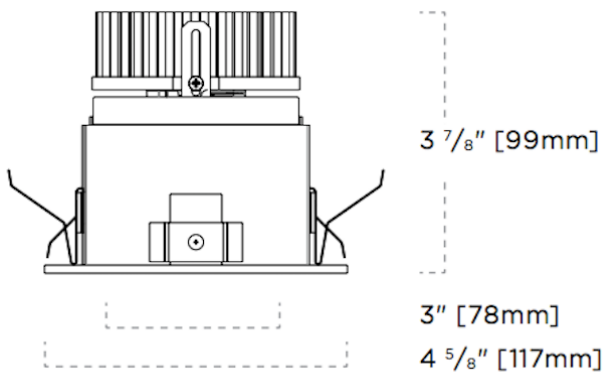
Certifications & Qualifications

ETL Certified to UL 1598	Yes
Suitable for Wet Locations	Yes
RoHS Compliant	Yes
LM79 Tested	Yes

Mechanical Specifications

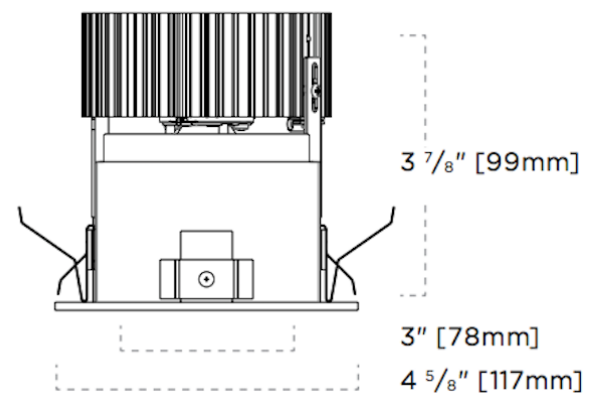
Adjustable Downlight

18 Volt (6.3W - 9W) 2 per channel



Fixed Downlight

36 Volt (12.6W - 18W) 1 per channel



For more information, please contact:
+1 (727) 827-2805
sales@lumastream.com

LumaStream, Inc. reserves the right to make changes without further notice to any products herein to improve reliability, function, or design. LumaStream does not assume any liability arising out of the application or use of any product described herein; neither does it convey any license under its patent rights, nor the rights of others.

