

892 Downlight

8" Adjustable Round Wall Wash

Commercial series, high lumen downlight with multiple lens options.

Product Description

This smooth dimming, flicker-free fixture features multiple lens options and a variety of beam angles for flexible lighting design. The light engine tilts up to 35° to accommodate sloped ceilings or provide accent or wall wash lighting. This Class 2 solution contains no electronics in the fixture. The dimming control, power conversion and constant current drivers for multiple fixtures are housed in a remote DC, intelligent power supply, which can be located up to 150' away from the fixtures.

Suitable for damp locations.

Ideal applications: house of worship, hospitality, retail, commercial, architectural lighting.

Schedule ID	
Part Number	
Notes	



Performance Summary

Light Output	0° Adjust: 9185 - 9450 lumens
	35° Adjust: 6560 - 6725 lumens
CCT	2700K, 3000K, 3500K, 4000K
CRI	80+
Compatible Power Supplies	94-04-2100-ANA-XX
Forward Voltage	39 Vf max
Lifetime	50,000+ hours
Warranty	5-year limited warranty
Dimming	Dimmable to 0.2%

Ordering Information Example: 892-N27-OW

892	-		-	
Base	Beam	CCT	Lens	Trim
892	N Narrow (42°)	27 2700K	O Open	C Polished W White
	W Wide (64°)	30 3000K	C Clear Polycarbonate	
		35 3500K	G Clear Glass	
		40 4000K	F Frosted Glass	
			A Frosted Acrylic	
			P Prismatic Glass	
			S Solite Micro-Prismatic	
			T Tempered Glass	

892 Downlight Specifications

Light Output

Drive Current	Beam Dist	Lumens (0° Adjustment)	Lumens (35° Adjustment)	Lumens Per Watt	Watts	CRI
2100 mA	N	9185	6560	80	82	80+
2100 mA	W	9450	6725	82	82	80+

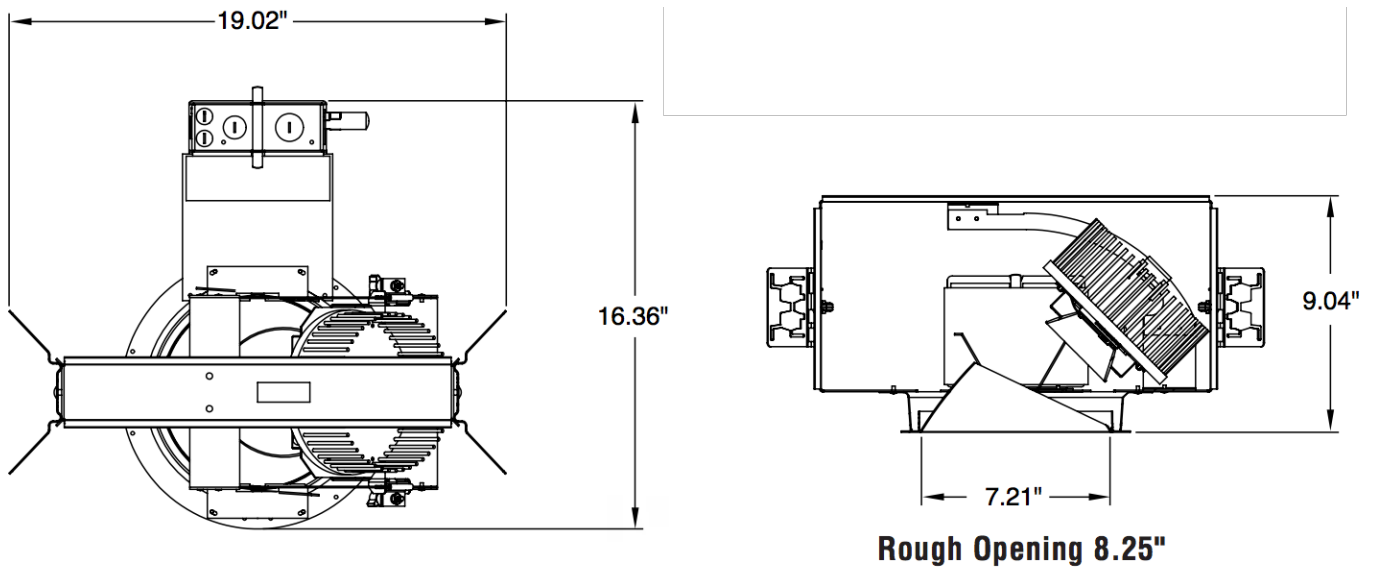
Luminaire Distribution

Drive Current	Control Input	Channels	Zones	Max Fixtures
2100 mA	Analog 0-10V	4	4	4

Certifications & Qualifications

ETL Certified to UL 1598	Yes
Suitable for Damp Locations	Yes

Mechanical Specifications



For more information, please contact:
 +1 (727) 827-2805
 sales@lumastream.com

LumaStream, Inc. reserves the right to make changes without further notice to any products herein to improve reliability, function, or design. LumaStream does not assume any liability arising out of the application or use of any product described herein; neither does it convey any license under its patent rights, nor the rights of others.



Rev: 5/04/2017