

484 Downlight

4" Recessed Square

| | |
|-------------|--|
| Schedule ID | |
| Part Number | |
| Notes | |

Architectural Series
downlight with multiple trim
options, including **trimless**.



Product Description

This fully dimmable low-voltage LED fixture is available in 2 power levels, 18V and 36V options. It has a square design with multiple finish and trim options that blend with any design. This Class 2 solution contains no electronics in the fixture. The dimming control, power conversion and constant current drivers for multiple fixtures are housed in a remote DC, Class 2 intelligent power supply, which can be located up to 150' away from the fixtures.

Ideal applications: residential, hospitality, retail, architectural lighting.

Performance Summary

| | |
|---------------------------|--|
| Light Output | 590 (18V) - 1685 (36V) lumens |
| CCT | 2700K, 3000K, 3500K*, 4000K* |
| CRI | 90+ |
| Compatible Power Supplies | Optimal Power Supply for 480 Series 70-12-0450-40D-X |
| | Alternative Compatible Power Supplies 70-12-0350-XXX-X |
| | 70-09-0500-XXX-X |
| Forward Voltage | 18 Vf, 2 per channel |
| | 36 Vf, 1 per channel |
| Lifetime | 70,000+ hours |
| Warranty | 5-year limited warranty |
| Dimming | Dimmable to 0.2% |

*Please consult with your LumaStream account manager for pricing and lead times.

Ordering Information Example: 484-N30S-18-WW

| Base | Beam | CCT | Lens | Series | Baffle Finish | Trim Finish |
|------------|---|--|--|--|--|--|
| 484 | N Narrow (20°) M Medium (28°) W Wide (40°) | 27 2700K 30 3000K 35 3500K 40 4000K | C Clear E Elliptical F Full Diffuse H Honeycomb S Soft Diffuse (6%) | 18 Adjustable 18V TL Adjustable 18V Trimless 36 Fixed 36V | B Black W White C Clear (Anodized Aluminum) | B Black W White C Clear (Anodized Aluminum) X Chrome Plated Z Bronze N Matte Nickel |

484 Downlight Specifications

Light Output

| Drive Current | CCT* | Lumens | Voltage | Watts | Fixtures/Ch | Fixtures/PS | Compatible Power Supplies |
|--|-------|--------|---------|-------|-------------|-------------|---------------------------|
| Optimal Power Supply for 480 Series | | | | | | | |
| 450 mA - 40 V | 3000K | 758 | 18 | 8.1 | 2 | 24 | 70-12-0450-XXX-X |
| 450 mA - 40 V | 3000K | 1516 | 36 | 16.2 | 1 | 12 | 70-12-0450-XXX-X |
| Alternative Compatible Power Supplies | | | | | | | |
| 350 mA - 47 V | 3000K | 590 | 18 | 6.3 | 2 | 24 | 70-12-0350-XXX-X |
| 500 mA - 47 V | 3000K | 842 | 18 | 9 | 2 | 18 | 70-09-0500-XXX-X |
| 350 mA - 47 V | 3000K | 1179 | 36 | 12.6 | 1 | 12 | 70-12-0350-XXX-X |
| 500 mA - 47 V | 3000K | 1685 | 36 | 18 | 1 | 9 | 70-09-0500-XXX-X |

*Lumens based on wide optic, no lens, 3000K. For 2700K: multiply lumens by 0.86, 3500K: multiply lumens by 1.05, 4000K: multiply lumens by 1.08.

Construction & Materials

| | |
|--|--|
| Dimensions | 4" to 4 3/8" H x 4 5/8" W |
| Weight | 0.80 lbs |
| Material | Die Cast / Spun Aluminum, Steel |
| Optics | Polycarbonate |
| Lenses | Clear or Soft Diffuse Glass |
| Operating Temperature | -4°F to 104°F / -20°C to 40°C |
| Housing Options (See housing spec for more details) | Non-IC rated: HSN-14-S-NI IC rated: HSN-14-S-IC |

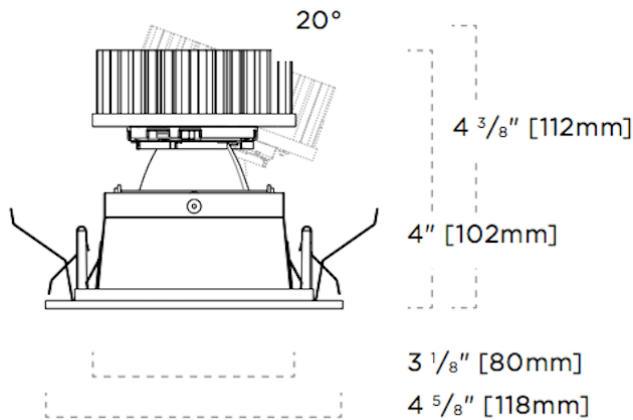
Certifications & Qualifications

| | |
|-----------------------------|-----|
| ETL Certified to UL 1598 | Yes |
| Suitable for Damp Locations | Yes |
| RoHS Compliant | Yes |
| LM79 Tested | Yes |

Mechanical Specifications

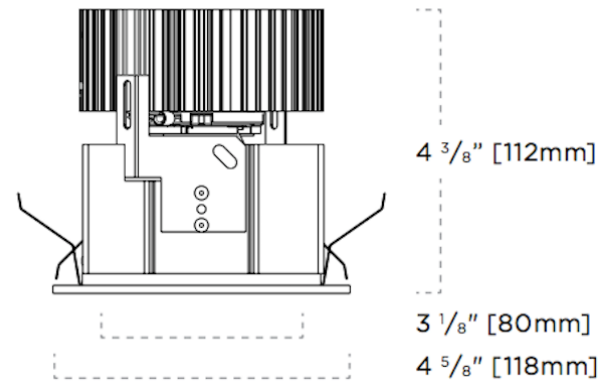
Adjustable Downlight

18 Volt (6.3W - 9W) 2 per channel



Fixed Downlight

36 Volt (12.6W - 18W) 1 per channel



For more information, please contact:

+1 (727) 827-2805

sales@lumastream.com

LumaStream, Inc. reserves the right to make changes without further notice to any products herein to improve reliability, function, or design. LumaStream does not assume any liability arising out of the application or use of any product described herein; neither does it convey any license under its patent rights, nor the rights of others.

LS0226 / 484 Downlight



4/25/2017