

P1AP Accent

Puck

Compact design allows for discreet, transitional accent lighting.

Product Description

This fully dimmable low-voltage LED fixture is a surface mount light that is used to create low level accent lighting with it's transitional compact design. The fixture contains no electronics. All dimming control, power conversion and constant current drivers are housed in a remote DC, Class 2 intelligent power supply, which can be located up to 150' away from fixtures.

Ideal applications: hospitality, retail, architectural lighting

Schedule ID	
Part Number	
Notes	



Performance Summary

Light Output	100 lumens
CCT	2700K, 3000K, 3500K, 4000K
CRI	90+ (2700K, 3000K), 80+ (3500K, 4000K)
Drive Current	500 mA, 700 mA
Forward Voltage	3 Vf max
Lifetime	50,000+ hours
Warranty	5-year limited warranty
Dimming	Dimmable to 0.2%

Ordering Information Example: P1AP-030S-D100-C

Base	Beam	CCT	Lens	Aperture	Finish
P1AP	0 None	27 2700K 30 3000K 35 3500K 40 4000K	S Soft Diffuse F Full Diffuse	D100 Down, 100% Open D075 Down, 75% Open S050 Side, 50% Open	B Black C Clear (Brushed Aluminum)

P1AP Accent Specifications

Light Output

Drive Current	CCT	Lumens	Voltage	Watts	Lumens/Watt	CRI
500 mA	3000K	102	3	1.5	68	90+
700 mA	3000K	131	3	2.1	62.4	90+

** For 2700K: multiply lumens by 0.93; 3500K: multiply lumens by 1.28; 4000K: multiply lumens by 1.41.

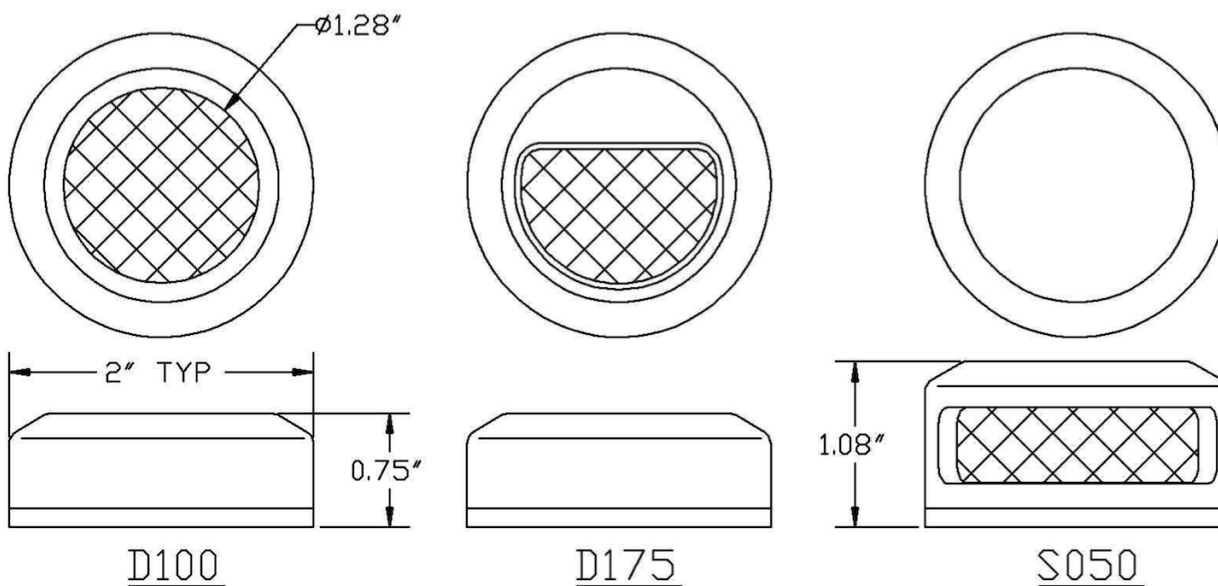
Construction & Materials

Weight	0.10 lbs
Material	Milled Aluminum
Optics	Anodized Aluminum
Lenses	None
Operating Temperature	-4°F to 113°F / -20°C to 45°C
Mounting Options	Surface Mount

Certifications & Qualifications

TUV Certified to UL 1598	Yes
Suitable for Damp Locations	Yes
RoHS Compliant	Yes

Mechanical Specifications



For more information, please contact:

+1 (727) 827-2805

sales@lumastream.com

LumaStream, Inc. reserves the right to make changes without further notice to any products herein to improve reliability, function, or design. LumaStream does not assume any liability arising out of the application or use of any product described herein; neither does it convey any license under its patent rights, nor the rights of others.

LS0171 / P1AP Accent



Rev: 07/12/2017