

RXSB Accent

Stem Base

Architectural lighting;
two brightness levels; two
adjustment levels.

Schedule ID	
Part Number	
Notes	



Product Description

This fully dimmable low-voltage LED fixture comes standard with a 12" stem and 60° angle. This Class 2 solution contains no electronics in the fixture. The dimming control, power conversion and constant current drivers for multiple fixtures are housed in a remote DC, Class 2 intelligent power supply which can be located up to 150' away from the fixtures.

Ideal applications: hospitality, retail, architectural lighting

Performance Summary

Light Output	R3: 285 - 553 lumens
	R4: 383 - 745 lumens
CCT	2700K, 3000K, 3500K, 4000K
CRI	90+ (2700K, 3000K), 80+ (3500K, 4000K)
Drive Current	500 mA, 700 mA
Forward Voltage	R3: 9 Vf max
	R4: 12 Vf max
Lifetime	50,000+ hours
Warranty	5-year limited warranty
Dimming	Dimmable to 0.2%

Ordering Information Example: R3SB-N30S-6006-C-RT

Base	Beam	CCT	Lens	Swivel	Stem	Finish	Canopy
R3SB	N Narrow (18°)	27 2700K	C Clear	60 60° Swivel	06 6" Stem	C Clear (Brushed Aluminum) B Black	00 None
R4SB	M Medium (34°)	30 3000K	S Soft Diffuse	90 90° Swivel	12 12" Stem		CN 5" Canopy
	W Wide (50°)	35 3500K					RD Round Canopy
	O None (105°)	40 4000K					RT Rect. Canopy

RXSB Accent Specifications

Light Output

LED Array	Drive Current	CCT**	Lumens	Voltage	Watts	Lumens/Watt	CRI
R3	500 mA	3000K	306	9	4.5	95	80+
R3	700 mA	3000K	392	9	6.3	88	80+
R4	500 mA	3000K	412	12	6	97	80+
R4	700 mA	3000K	528	12	8.4	89	80+

** For 2700K: multiply lumens by 0.93; 3500K: multiply lumens by 1.28; 4000K: multiply lumens by 1.41.

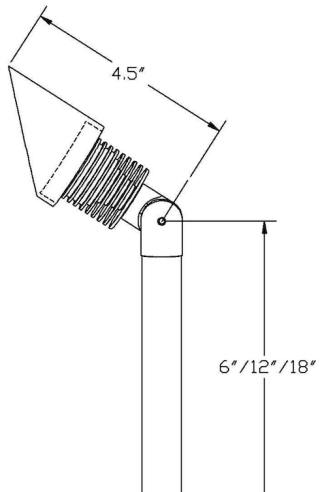
Construction & Materials

Weight	0.50 lbs
Material	Milled Aluminum
Optics	Polycarbonate / Plastic
Lenses	Acrylic
Operating Temperature	-4°F to 113°F / -20°C to 45°C
Mounting Options	5" Canopy Standard

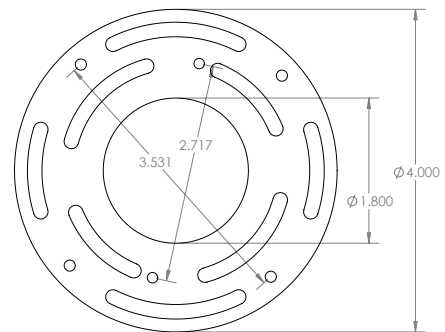
Certifications & Qualifications

TUV Certified to UL 1598	Yes
Suitable for Damp Locations	Yes
RoHS Compliant	Yes
LM79 Tested	Yes

Mechanical Specifications



Universal Adapter



For more information, please contact:

+1 (727) 827-2805

sales@lumastream.com

LumaStream, Inc. reserves the right to make changes without further notice to any products herein to improve reliability, function, or design. LumaStream does not assume any liability arising out of the application or use of any product described herein; neither does it convey any license under its patent rights, nor the rights of others.

LS0178 / RXSB Accent



Rev: 07/10/2017