

605 Downlight

6" Recessed

Architectural Series **lensed** downlight.

Product Description

This fully dimmable low-voltage LED fixture is rated for insulation contact (IC) as well as airtight and damp locations. This Class 2 solution contains no electronics in the fixture. The dimming control, power conversion and constant current drivers for multiple fixtures are housed in a remote DC, Class 2 intelligent power supply, which can be located up to 150' away from the fixtures.

Ideal applications: hospitality, retail, architectural lighting

| | |
|-------------|--|
| Schedule ID | |
| Part Number | |
| Notes | |



Performance Summary

| | |
|-----------------|----------------------------|
| Light Output | 1409 - 2197 lumens |
| CCT | 3000K, 3500K*, 4000K |
| CRI | 80+ (3000K, 3500K*, 4000K) |
| Drive Current | 700 mA, 1000 mA |
| Forward Voltage | 22 Vf max |
| Lifetime | 50,000+ hours |
| Warranty | 5-year limited warranty |
| Dimming | Dimmable to 0.2% |

*Please consult with your LumaStream account manager for pricing and lead times.

Ordering Information Example: 605-W30S-W

| Base | Beam | CCT | Lens | Finish |
|------------|---------------------|--|-----------------------|----------------|
| 605 | W Wide (90°) | 30 3000K 35 3500K* 40 4000K | S Soft Diffuse | W White |

605 Downlight Specifications

Light Output

| Drive Current | CCT** | Lumens | Voltage | Watts | Lumens/Watt | CRI |
|---------------|-------|--------|---------|-------|-------------|-----|
| 700 mA | 3000K | 1409 | 22 | 15.4 | 91 | 80+ |
| 1000 mA | 3000K | 1942 | 22.7 | 22.7 | 86 | 80+ |

**For 3500K: multiply lumens by 1.22; 4000K: multiply lumens by 1.27.

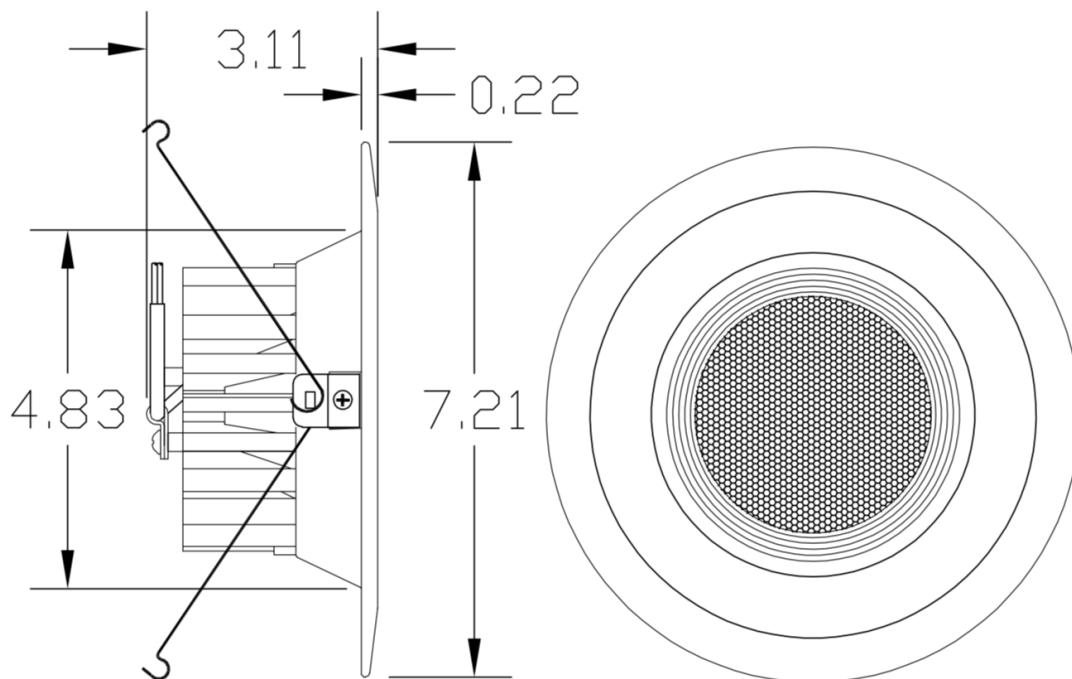
Construction & Materials

| | |
|------------------------|---------------------------------|
| Dimensions (H x L x W) | 3.01" H x 7.21" W x 3.93" D |
| Weight | 1.2 lbs |
| Material | Die Cast Aluminum |
| Optics | Integral, Very Wide, 90° |
| Lenses | Polycarbonate Soft Diffusion 8% |
| Operating Temperature | -4°F to 113°F / -20°C to 45°C |
| Mounting Options | Torsion Spring |

Certifications & Qualifications

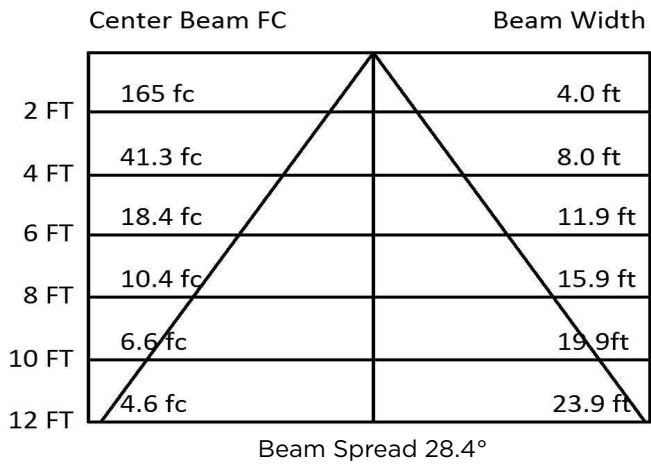
| | |
|--|-----|
| TUV Certified to UL 1598 | Yes |
| IC Rated (when used with New Construction can) | Yes |
| Suitable for Damp Locations | Yes |
| RoHS Compliant | Yes |

Mechanical Specifications

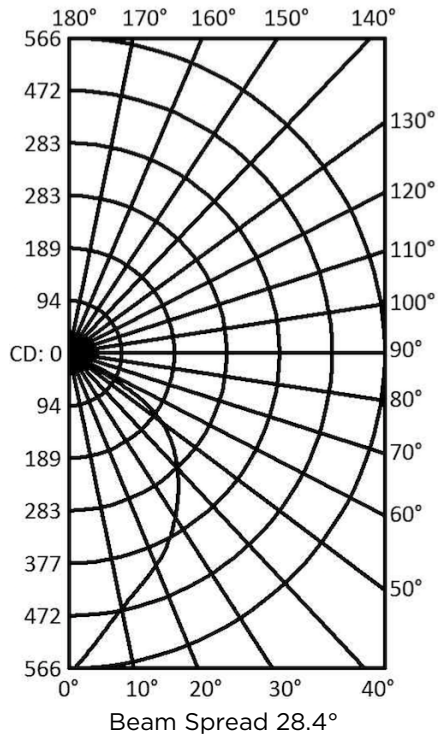


* Shallow housing fits within a 6" stud.

Illuminance at a Distance



Polar Candela Distribution



For more information, please contact:

+1 (727) 827-2805

sales@lumastream.com

LumaStream, Inc. reserves the right to make changes without further notice to any products herein to improve reliability, function, or design. LumaStream does not assume any liability arising out of the application or use of any product described herein; neither does it convey any license under its patent rights, nor the rights of others.

LS0181 / 605 Downlight



Rev: 8/22/2017