

# R4DA Accent

## Dual Angle

Architectural accent lighting. Arm and head swivel for precise aiming.

Schedule ID	
Part Number	
Notes	



### Product Description

This fully dimmable low-voltage LED fixture features full adjustment capabilities on two axis, ideal for custom light positioning. The Class 2 solution contains no electronics in the fixture. All dimming control, power conversion, and constant current drivers are housed in a remote DC, Class 2 intelligent power supply, which can be located up to 150' away from fixtures.

**Ideal applications:** hospitality, retail, architectural lighting

### Performance Summary

Light Output	R4: 383 - 745 lumens
CCT	2700K, 3000K, 3500K, 4000K
CRI	90+ (2700K, 3000K), 80+ (3500K, 4000K)
Drive Current	500 mA, 700 mA
Forward Voltage	R4: 12 Vf max
L70 Lifetime	50,000+ hours
Warranty	5-year limited warranty
Dimming	Dimmable to 0.2%

### Ordering Information Example: R4DA-N30S-0202-05-B

Base	Beam	CCT	Lens	Arm	Stem	Canopy	Finish
<b>R4DA</b>	<b>N</b> Narrow (18°) <b>M</b> Medium (34°) <b>W</b> Wide (50°) <b>O</b> None (105°)	<b>27</b> 2700K <b>30</b> 3000K <b>35</b> 3500K <b>40</b> 4000K	<b>C</b> Clear <b>S</b> Soft Diffuse <b>F</b> Full Diffuse	<b>02</b> 2" Arm <b>04</b> 4" Arm	<b>02</b> 2" Stem <b>04</b> 4" Stem	<b>00</b> None <b>02</b> 2" Canopy <b>05</b> 5" Canopy	<b>C</b> Clear (Brushed Aluminum) <b>B</b> Black

# R4DA Accent Specifications

## Light Output

LED Array	Drive Current	CCT**	Lumens	Voltage	Watts	Lumens/Watt	CRI
R4	500 mA	3000K	412	12	6	97	80+
R4	700 mA	3000K	528	12	8.4	89	80+

\*\* For 2700K: multiply lumens by 0.93; 3500K: multiply lumens by 1.28; 4000K: multiply lumens by 1.41.

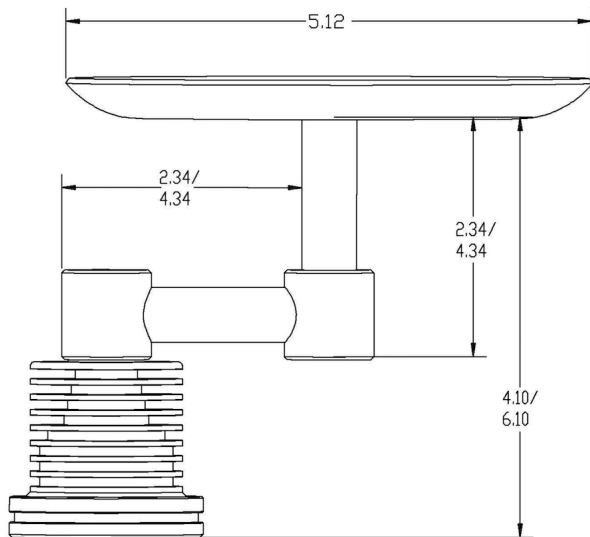
## Construction & Materials

Weight	0.44 lbs
Material	Milled Aluminum
Optics	Polycarbonate / Plastic
Lenses	Acrylic
Operating Temperature	-4°F to 113°F / -20°C to 45°C
Mounting Options	5" Canopy Standard, Rail Optional

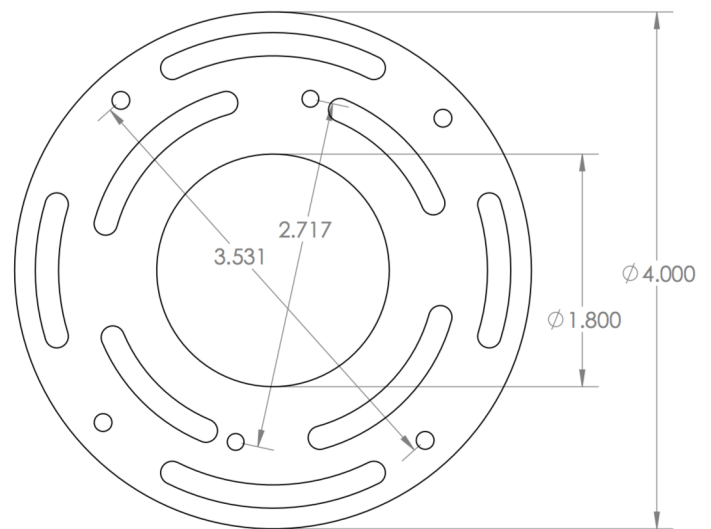
## Certifications & Qualifications

TUV Certified to UL 1598	Yes
Suitable for Damp Locations	Yes
RoHS Compliant	Yes
LM79 Tested	Yes

## Mechanical Specifications



## Universal Adapter



For more information, please contact:

+1 (727) 827-2805

sales@lumastream.com

LumaStream, Inc. reserves the right to make changes without further notice to any products herein to improve reliability, function, or design. LumaStream does not assume any liability arising out of the application or use of any product described herein; neither does it convey any license under its patent rights, nor the rights of others.

LS0177 / R4DA Accent



Rev: 08/04/2017