

R4PL Accent

Single Swivel

Durable, LED path lighting; fixture head can rotate 360°.

Schedule ID	
Part Number	
Notes	



Product Description

This fully dimmable low-voltage LED uplight or downlight mounts either on a stake or canopy mount. Fixture head has 360° adjustability. The Class 2 solution contains no electronics in the fixture. All dimming control, power conversion, and constant current drivers are housed in a remote DC, Class 2 intelligent power supply, which can be located up to 150' away from fixtures.

Ideal applications: hospitality, commercial, architectural lighting

Performance Summary

Light Output	R4: 383 - 745 lumens
CCT	2700K, 3000K, 3500K, 4000K
CRI	90+ (2700K, 3000K), 80+ (3500K, 4000K)
Drive Current	500 mA, 700 mA
Forward Voltage	R4: 12 Vf max
L70 Lifetime	50,000+ hours
Warranty	5-year limited warranty
Dimming	Dimming to 0.2%

Ordering Information Example: R4PL-M30S-0406-B-CN

Base	Beam	CCT	Lens	Arm	Stem	Finish	Canopy
R4PL	N Narrow (18°) M Medium (34°) W Wide (50°) O None (105°)	27 2700K 30 3000K 35 3500K 40 4000K	C Clear S Soft Diffuse F Full Diffuse	02 2" Arm 04 4" Arm	06 6" Stem 12 12" Stem 18 18" Stem 24 24" Stem	B Black C Clear (Brushed Aluminum)	00 None CN 5" Canopy RD Round Canopy RT Rect. Canopy

R4PL Accent Specifications

Light Output

LED Array	Drive Current	CCT**	Lumens	Voltage	Watts	Lumens/Watt	CRI
R4	500 mA	3000K	412	12	6	97	80+
R4	700 mA	3000K	528	12	8.4	89	80+

** For 2700K: multiply lumens by 0.93; 3500K: multiply lumens by 1.28; 4000K: multiply lumens by 1.41.

Construction & Materials

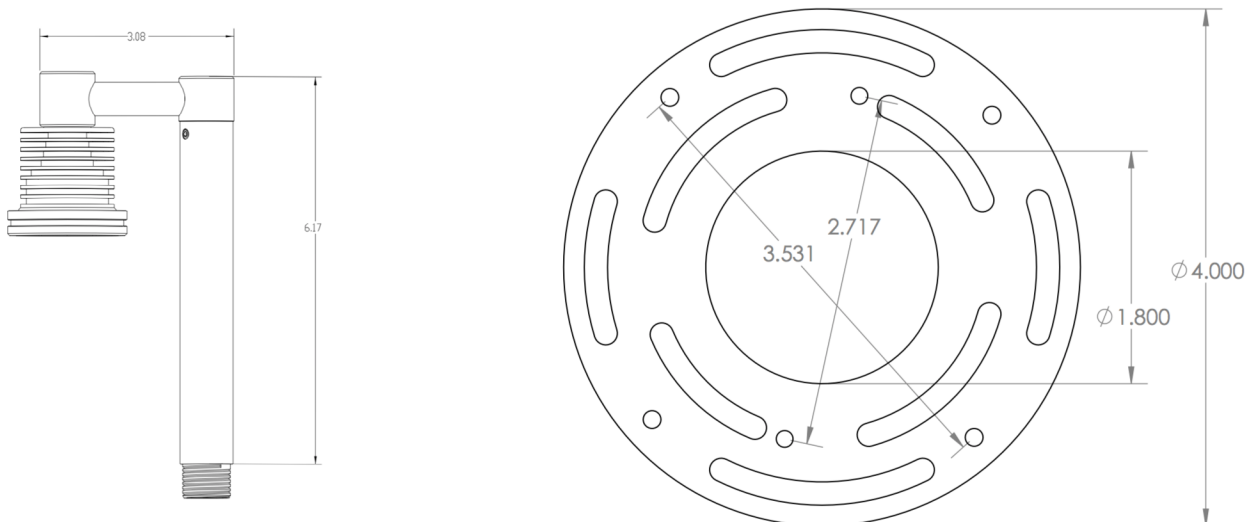
Weight	0.53 lbs
Material	Milled Aluminum
Optics	Polycarbonate / Plastic
Lenses	Acrylic
Operating Temperature	-4°F to 113°F / -20°C to 45°C
Mounting Options	5" Canopy Standard

Certifications & Qualifications

TUV Certified to UL 1598	Yes
Suitable for Damp Locations	Yes
RoHS Compliant	Yes
LM79 Tested	Yes

Mechanical Specifications

Universal Adapter



For more information, please contact:

+1 (727) 827-2805

sales@lumastream.com

LumaStream, Inc. reserves the right to make changes without further notice to any products herein to improve reliability, function, or design. LumaStream does not assume any liability arising out of the application or use of any product described herein; neither does it convey any license under its patent rights, nor the rights of others.

LS0175 / R4PL Accent



Rev: 08/07/2017