

R4SM Accent

Surface Canopy Mount

Simple accent designed for flexibility.

Schedule ID	
Part Number	
Notes	



Product Description

This fully dimmable low-voltage LED low profile uplight is ideal for applications with limited space. This Class 2 solution contains no electronics in the fixture. The dimming control, power conversion and constant current drivers for multiple fixtures are housed in a remote DC, Class 2 intelligent power supply, which can be located up to 150' away from the fixtures.

Ideal applications: hospitality, retail, architectural lighting

Performance Summary

Light Output	383 - 745 lumens
CCT	2700K, 3000K, 3500K, 4000K
CRI	90+ (2700K, 3000K), 80+ (3500K, 4000K)
Drive Current	500 mA, 700 mA
Forward Voltage	12 Vf max
L70 Lifetime	50,000+ hours
Warranty	5-year limited warranty
Dimming	Dimming to 0.2%

Ordering Information Example: R4SM-N30S-6005-C

Base	Beam	CCT	Lens	Swivel	Canopy	Finish
R4SM	N Narrow (18°) M Medium (34°) W Wide (50°) O None (105°)	27 2700K 30 3000K 35 3500K 40 4000K	C Clear S Soft Diffuse (6%) F Full Diffuse	60 60° Swivel 90 90° Swivel	00 None 02 2" Canopy 05 5" Canopy	C Clear <small>(Brushed Aluminum)</small> B Black G Green

R4SM Accent Specifications

Light Output

LED Array	Drive Current	CCT**	Lumens	Voltage	Watts	Lumens/Watt	CRI
R4	500 mA	3000K	412	12	6	97	80+
R4	700 mA	3000K	528	12	8.4	89	80+

** For 2700K: multiply lumens by 0.93; 3500K: multiply lumens by 1.28; 4000K: multiply lumens by 1.41.

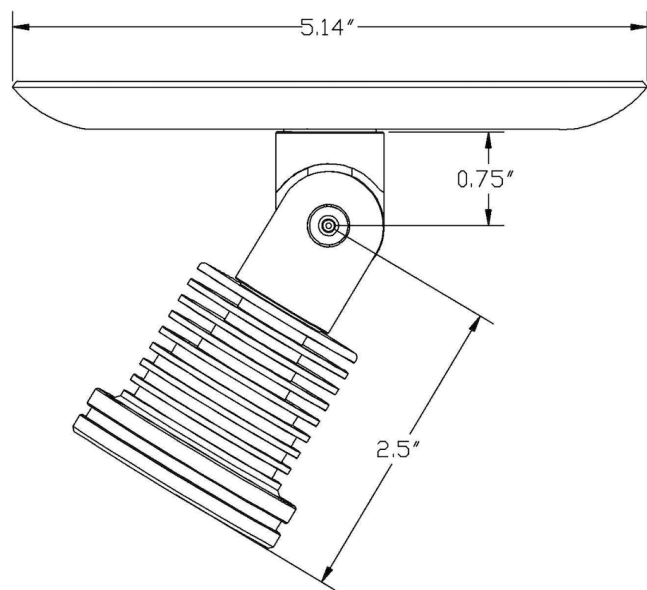
Construction & Materials

Weight	0.35 lbs
Material	Milled Aluminum
Optics	Polycarbonate / Plastic
Lenses	Acrylic
Operating Temperature	-4°F to 113°F / -20°C to 45°C
Mounting Options	5" Canopy Standard

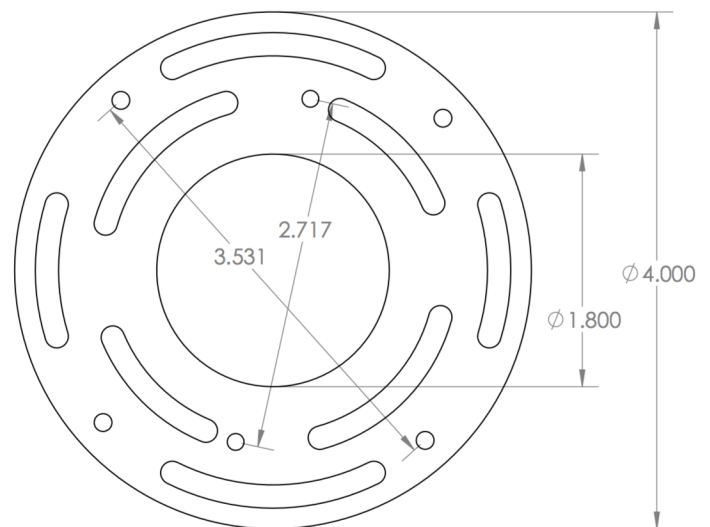
Certifications & Qualifications

TUV Certified to UL 1598	Yes
Suitable for Damp Locations	Yes
RoHS Compliant	Yes
LM79 Tested	Yes

Mechanical Specifications



Universal Adapter



For more information, please contact:

+1 (727) 827-2805

sales@lumastream.com

LumaStream, Inc. reserves the right to make changes without further notice to any products herein to improve reliability, function, or design. LumaStream does not assume any liability arising out of the application or use of any product described herein; neither does it convey any license under its patent rights, nor the rights of others.

LS0179 / R4SM Accent



Rev: 08/07/02017