

335 Mini-Pendant

Artisan Glass

Schedule ID	
Part Number	
Notes	

Artisan glass canopy with hand-brushed metal inlay.



Product Description

This fully dimmable low-voltage LED fixture is a custom made glass pendant with a conical design in multiple colors. This Class 2 solution contains no electronics in the fixture. The dimming control, power conversion and constant current drivers for multiple fixtures are housed in a remote DC, Class 2 intelligent power supply, which can be located up to 150' away from the fixtures.

Ideal applications: residential, hospitality, retail, architectural lighting

Performance Summary

Light Output	268 - 383 lumens
CCT	2700K
CRI	90+, 3 MacAdam Ellipse
Compatible Power Supplies	70-12-0350-XXX
	70-12-0450-XXX
	70-09-0500-XXX
Forward Voltage	9 Vf max, 4 per channel, 70 series Trinity
L70 Lifetime	50,000+ hours
Warranty	5-year limited warranty
Dimming	Dimmable to 0.2%

Ordering Information Example: 335-WF2705-05WG-C

335	-		-		-	
Base	Beam	CCT	Cord*	Canopy	Shade	Canopy Finish
335	WF Wide Flood	27 2700K	05 5' Cord	05 5" Canopy	WG White & Gold WS White & Silver BG Black & Gold BS Black & Silver	C Satin Chrome X Bright Chrome Z Bronze

* Custom length. Please consult factory.

335 Pendant Specifications

Light Output

Drive Current	CCT	Lumens	Voltage	Watts	CRI
350 mA	3000K	268	9	3.15	90+
500 mA	3000K	383	9	4.5	90+

** For 2700K: multiply lumens by 0.93.
(Calculated values- Not based on absolute photometry.)

Construction & Materials

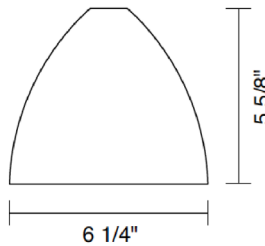
Weight	2.00 lbs
Material	Milled Aluminum, Various Glass Shade Options
Operating Temperature	-4°F to 113°F / -20°C to 45°C
Mounting Options	Universal Plate & Junction Box

Certifications & Qualifications

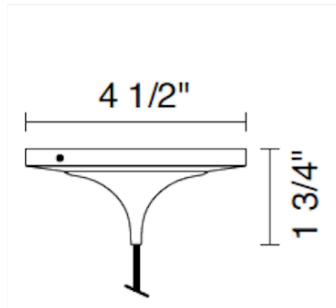
ETL Certified to UL 1598	Yes
RoHS Compliant	Yes

Mechanical Specifications

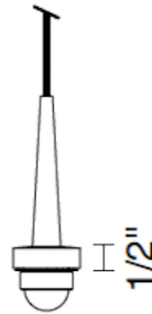
Light Fixture



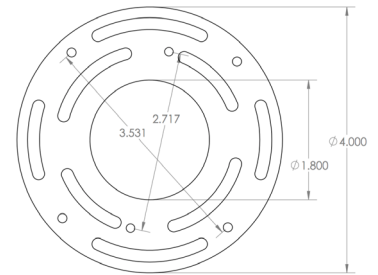
Canopy



LED Engine



Universal Plate



Shade Options

WG



WS



BG



BS



For more information, please contact:

+1 (727) 827-2805

sales@lumastream.com

LumaStream, Inc. reserves the right to make changes without further notice to any products herein to improve reliability, function, or design. LumaStream does not assume any liability arising out of the application or use of any product described herein; neither does it convey any license under its patent rights, nor the rights of others.

LS0237 / 335 Pendant



Rev: 12/19/2017