

# 339 Mini-Pendant

## Artisan Glass

Schedule ID	
Part Number	
Notes	

Artisan glass canopy pendant with multiple shade options.



### Product Description

This fully dimmable low-voltage LED fixture is a custom made glass pendant featuring an encased cylinder shade. This Class 2 solution contains no electronics in the fixture. The dimming control, power conversion and constant current drivers for multiple fixtures are housed in a remote DC, Class 2 intelligent power supply, which can be located up to 150' away from the fixtures.

**Ideal applications:** residential, hospitality, retail, architectural lighting

### Performance Summary

Light Output	268 - 383 lumens
CCT	2700K
CRI	90+, 3 MacAdam Ellipse
Compatible Power Supplies	70-12-0350-XXX
	70-12-0450-XXX
	70-09-0500-XXX
Forward Voltage	9 Vf max, 4 per channel, 70 series Trinity
L70 Lifetime	50,000+ hours
Warranty	5-year limited warranty
Dimming	Dimmable to 0.2%

### Ordering Information Example: 339-WF2705-05T-C

339	-		-		-	
Base	Beam	CCT	Cord*	Canopy	Shade	Canopy Finish
<b>339</b>	<b>WF</b> Wide Flood	<b>27</b> 2700K	<b>05</b> 5' Cord	<b>05</b> 5" Canopy	<b>O</b> Orange <b>S</b> Smokey <b>T</b> Turquoise <b>W</b> White	<b>C</b> Satin Chrome <b>X</b> Bright Chrome <b>Z</b> Bronze

\* Custom length. Please consult factory.

# 339 Pendant Specifications

## Light Output

Drive Current	CCT	Lumens	Voltage	Watts	CRI
350 mA	3000K	268	9	3.15	90+
500 mA	3000K	383	9	4.5	90+

\*\*For 2700K: multiply lumens by 0.93.  
(Calculated values- Not based on absolute photometry.)

## Construction & Materials

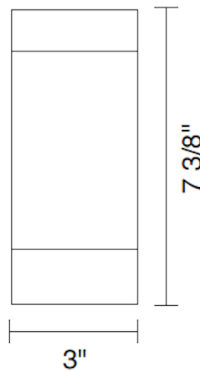
Weight	2.00 lbs
Material	Milled Aluminum, Glass
Operating Temperature	-4°F to 113°F / -20°C to 45°C
Mounting Options	Universal Plate & Junction Box

## Certifications & Qualifications

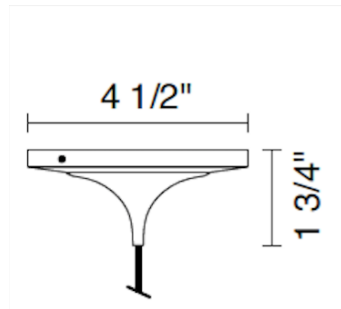
ETL Certified to UL 1598	Yes
RoHS Compliant	Yes

## Mechanical Specifications

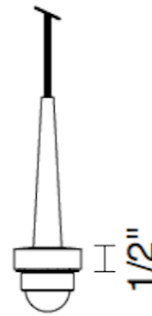
Shade



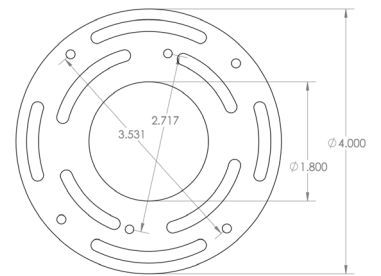
Canopy



LED Engine



Universal Plate



## Color Options

Orange



White



Smokey



Turquoise



For more information, please contact:

+1 (727) 827-2805

sales@lumastream.com

LumaStream, Inc. reserves the right to make changes without further notice to any products herein to improve reliability, function, or design. LumaStream does not assume any liability arising out of the application or use of any product described herein; neither does it convey any license under its patent rights, nor the rights of others.

LS0242 / 339 Pendant



Intertek

Rev: 12/19/2017