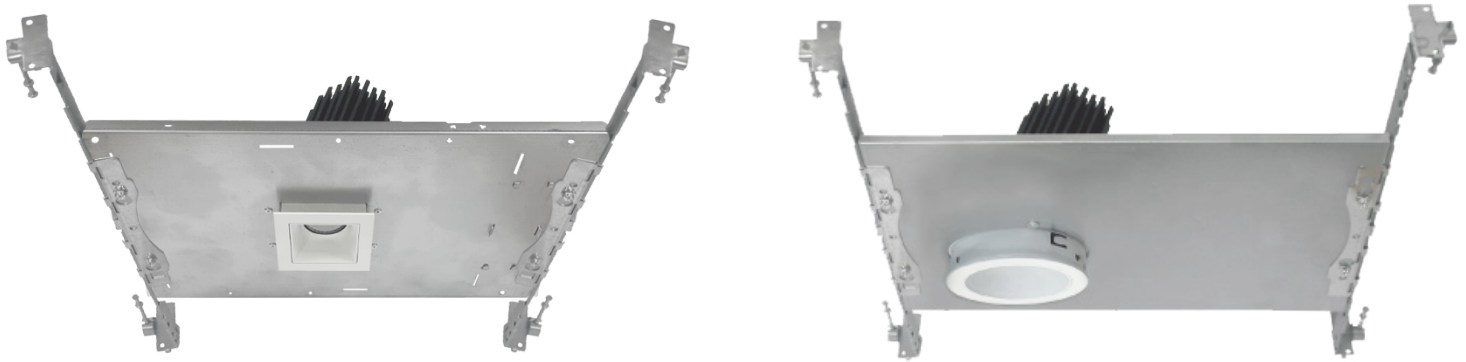


# MDL2 Downlight

## 2" Aperture

<b>Schedule ID</b>	
<b>Part Number</b>	
<b>Notes</b>	



(Both images shown with optional new construction flat frame)

Architectural Series downlight with multiple trim options. Superior efficiency, reliability and flexible design.

### Product Description

This fully dimmable low-voltage LED fixture is available in two power levels, 18V and 36V. Multiple finish and trim options create beautiful combinations that blend with any design. This Class 2 solution contains no electronics in the fixture. The dimming control, power conversion and constant current drivers for multiple fixtures are housed in a remote DC, Class 2 intelligent power supply, which can be located up to 150' away from the fixtures.

**Ideal applications:** residential, hospitality, retail, architectural lighting

### Performance Summary

Light Output	492 - 1030 lumens
CCT	2700K, 3000K, 3500K*, 4000K*
CRI	90+
Compatible Power Supplies	<b>Optimal Power Supply for MDL Series</b>
	70-12-0450-40D-X
	<b>Alternative Compatible Power Supplies</b>
	70-12-0350-XXX-X
	70-09-0500-XXX-X
Power Supplies for Non-IC Only	70-08-0700-40D-x
	70-06-0700-XXX-X
Forward Voltage	18 Vf, 2 per channel
	36 Vf, 1 per channel
Adjustability	18V & 36V adjust 30°
L70 Lifetime	TM-21 calculated 55,000
L70 Lifetime	TM-21 projected 250,000
L90 Lifetime	TM-21 projected 90,000
Warranty	5-year limited warranty
Dimming	Dimmable to 0.2%

### Ordering Information Example: MDL2R-W30-18-WW

MDL2		-		-		-	
Base	Trim	Beam	CCT	Voltage	Baffle Finish	Trim Finish	
<b>MDL2</b>	<b>R</b> Round <b>SQ</b> Square <b>RA</b> Round Adjustable <b>SQA</b> Square Adjustable	<b>N</b> Narrow (20°) <b>M</b> Medium (28°) <b>W</b> Wide (40°)	<b>27</b> 2700K <b>30</b> 3000K <b>35</b> 3500K* <b>40</b> 4000K*	<b>18</b> 18 Volts <b>36</b> 36 Volts	<b>W</b> White <b>B</b> Black	<b>W</b> White <b>B</b> Black	

\*Please consult with your LumaStream account manager for pricing and lead times.

# MDL2 Downlight Specifications

## Light Output

Drive Current	CCT*	Lumens	Voltage	Watts	Fixtures/Ch	Fixtures/PS	Compatible Power Supplies
<b>Optimal Power Supply for MDL Series</b>							
450 mA - 40 V	3000K	633	18	8.1	2	24	70-12-0450-XXX-X
450 mA - 40 V	3000K	927	36	16.2	1	12	70-12-0450-XXX-X
<b>Alternative Compatible Power Supplies</b>							
350 mA - 47 V	3000K	492	18	6.3	2	24	70-12-0350-XXX-X
500 mA - 47 V	3000K	721	18	9	2	18	70-09-0500-XXX-X
700 mA - 40 V	3000K	985	18	12.6	2	16	70-12-0700-40D-x**
700 mA - 47 V	3000K	985	18	12.6	2	12	70-12-0700-XXX-X**
350 mA - 47 V	3000K	703	36	12.6	1	12	70-12-0350-XXX-X
500 mA - 47 V	3000K	1030	36	18	1	9	70-09-0500-XXX-X
700 mA - 40 V	3000K	1442	36	25.2	1	8	70-08-0700-XXX-X**
700 mA - 47 V	3000K	1442	36	25.2	1	6	70-06-0700-XXX-X**

\*\*For non-IC applications only

\*Lumens based on narrow optic, 3000K. For 2700K: multiply lumens by 0.86, 3500K: multiply lumens by 1.05, 4000K: multiply lumens by 1.08.

\*For lumens based on medium optic, 3000K: multiply lumens by 0.94. \*For lumens based on wide optic, 3000K: multiply lumens by 0.91.

## Construction & Materials

Dimensions	Round: 5.5" height, 3 3/16" diameter Square: 5.5" height, 3 3/16" x 3 3/16"
Weight	0.77 lbs
Material	Die Cast / Spun Aluminum, Steel
Optics	Polycarbonate
Lenses	Soft Diffuse Glass
Operating Temperature	-4°F to 104°F / -20°C to 40°C
Housing Options	Non-IC rated: HSN-02-R-FF-NC / HSN-02-S-FF-NC IC rated: HSN-02-R-IC-NC / HSN-02-S-IC-NC
Ceiling Cut Out	Round: 2 7/8" diameter Square: 2 7/8"x 2 7/8"

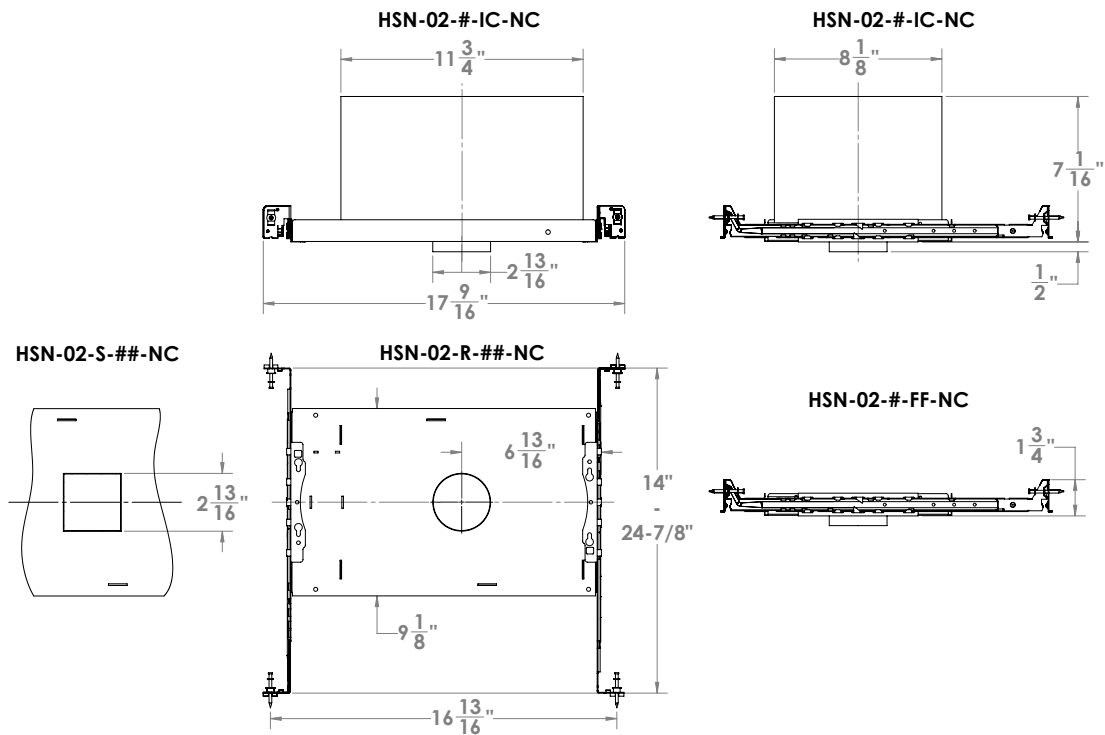
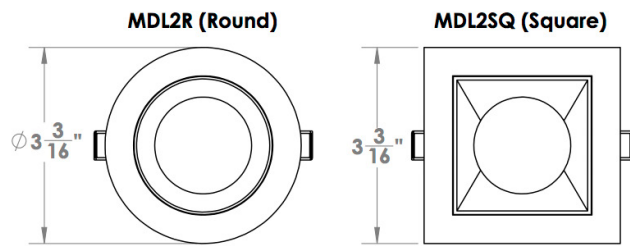
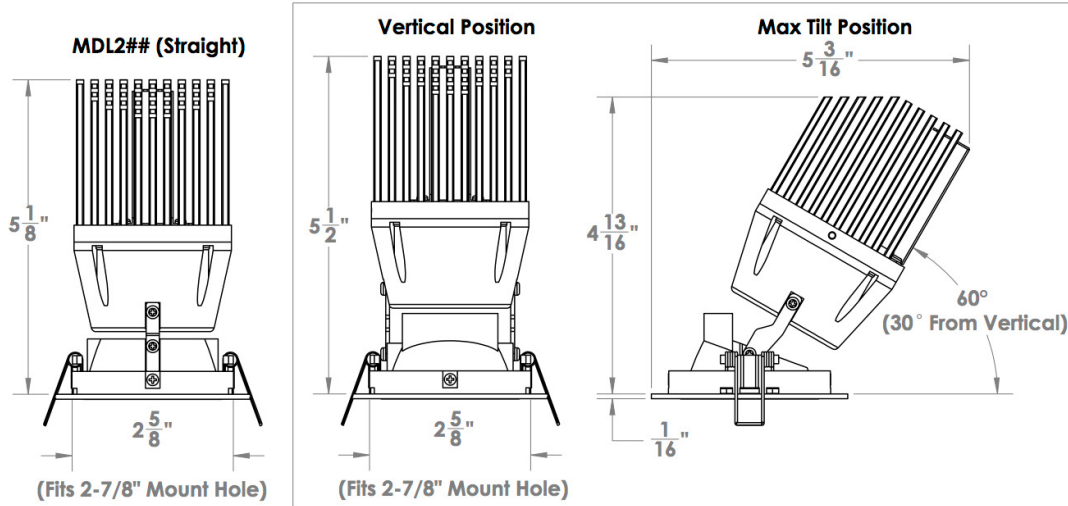
## Certifications & Qualifications

TUV Certified to UL 1598	Yes
Suitable for Wet Locations	Yes
RoHS Compliant	Yes
LM79 Tested	Yes

# MDL2 Downlight Specifications

## Mechanical Dimensions

### MDL2##A (Adjustable)



For more information, please contact:  
 +1 (727) 827-2805  
 sales@lumastream.com

LumaStream, Inc. reserves the right to make changes without further notice to any products herein to improve reliability, function, or design. LumaStream does not assume any liability arising out of the application or use of any product described herein; neither does it convey any license under its patent rights, nor the rights of others.

LS0232 / MDL2 Downlight

