

HLC-RGBW Pendant

High Lumen Cylinder

Schedule ID	
Part Number	
Notes	

High lumen RGBW cylinder pendant & surface mount fixture.



Product Description

This high lumen LED cylinder delivers architectural performance color lighting and is also capable of providing dynamic white lighting. The RGBW levels can be mixed, so any correlated color temperature throughout the black body curve is produced.

The HCL-RGBW cylinder was designed using the best available reflectors, optics, and LED chips. It is optimized with LumaStream's own 700mA, DMX based, Trinity 12 power supply. The combination of fully controllable, rich color, and powerful white light empowers designers and end users to incorporate emotion into the industry's best quality light to create scenes ranging from subtle ambiance to dramatic effect.

Ideal applications: retail, house of worship, architectural lighting

Performance Summary

Hot Lumens	3350 lumens (R, G, B, & W channels at 100%)
Drive Current	700 mA per channel (total of 4 channels required)
Recommended Power Supply	70-08-0700-40D-XXX
Forward Voltage	28 Vf max
L70 Lifetime	50,000+ hours
Warranty	5-year limited warranty
Dimming	Dimmable to 0.2%

Ordering Information Example: HLC-RGBW-W-CM00-B

Base	RGBW	Beam	Mount	Finish
HLC	RGBW	N Narrow (30°) M Medium (45°) W Wide (70°)	CM00 Ceiling PM15 Pendant with 15' Aircraft Cable SM06 6" Stem SM12 12" Stem SM18 18" Stem SM24 24" Stem SM36 36" Stem	B Black W White* Z Bronze*

*Please consult with your LumaStream account manager for pricing and lead times.

HLC-RGBW Cylinder Pendant Specifications

Driver Compatibility

Drive Current	Voltage	Channels per Fixture	Fixtures per Power Supply	Optimal Power Supplies
700 mA	28	4ch / Fixture	2 Fixtures / 1 Power Supply	70-08-0700-40D-XX
Drive Current	Voltage	Channels per Fixture	Fixtures per Power Supply	Compatible Power Supplies
350 mA	28	4ch / Fixture	3 Fixtures / 1 Power Supply	70-12-0350-XXX-XX
450 mA	28	4ch / Fixture	3 Fixtures / 1 Power Supply	70-12-0450-XXX-XX
500 mA	28	4ch / Fixture	2.25 Fixtures / 1 Power Supply	70-09-0500-XXX-XX
700 mA	28	4ch / Fixture	2 Fixtures / 1 Power Supply	70-08-0700-XXX-XX
700 mA	28	4ch / Fixture	1.5 Fixtures / 1 Power Supply	70-06-0700-XXX-XX

Light Specifications

Drive Current	CCT	Lumens	CRI	Red DMX Value	Green DMX Value	Blue DMX Value	White DMX Value
700 mA	3000K	1540	84	200	150	150	255
700 mA	3500K	1495	86	190	150	160	255
700 mA	4000K	1460	87	180	150	170	255
700 mA	5000K	1460	82	175	150	185	255

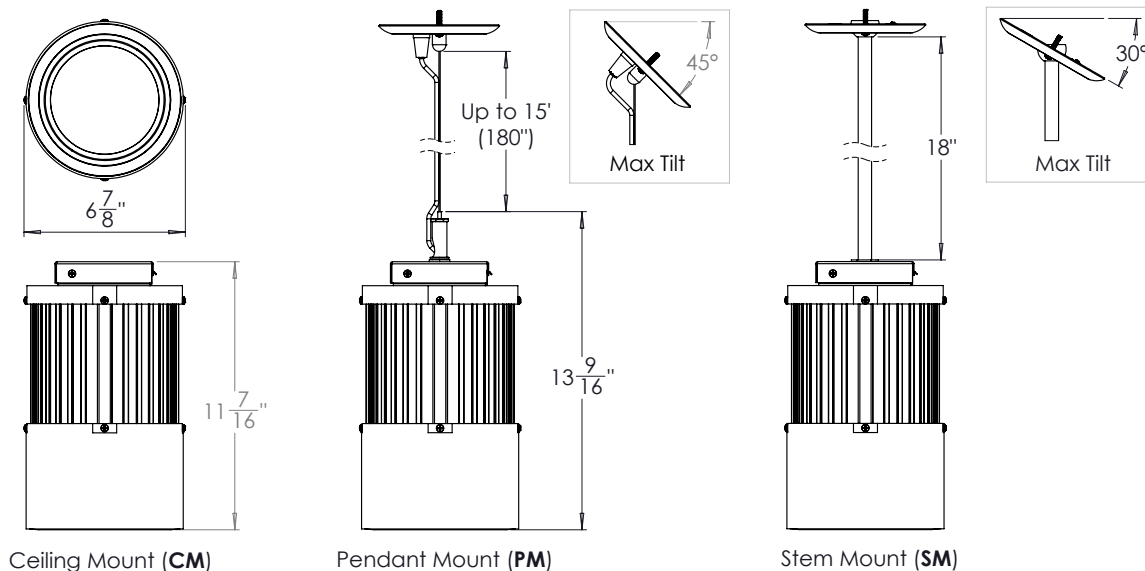
Construction & Materials

Dimensions (H x D)	11 7/16" H x 6 7/8" D
Weight	10 lbs
Material	Aluminum
Mounting Options	Ceiling, Pendant with Aircraft Cable, Stem

Certifications & Qualifications

TUV Certified to UL 1598	Yes
Suitable for Damp Locations	Yes
RoHS Compliant	Yes

Mechanical Specifications



HLC-RGBW Cylinder Pendant Specifications

Mechanical Specifications



DETAIL A

Wire Color & Channel Sequence		
Wire Color (Wires to be labeled if actual wire colors deviate from chart)	Polarity	Channel
White	(-)	White
White/stripe	(+)	
Green	(-)	Green
Green/stripe	(+)	
Blue	(-)	Blue
Blue/stripe	(+)	
Red	(-)	Red
Red/stripe	(+)	

For more information, please contact:
+1 (727) 827-2805
sales@lumastream.com

LumaStream, Inc. reserves the right to make changes without further notice to any products herein to improve reliability, function, or design. LumaStream does not assume any liability arising out of the application or use of any product described herein; neither does it convey any license under its patent rights, nor the rights of others.

LS0231 / HLC-RGBW Cylinder Pendant



Rev: 8/23/2018