

# HLC Pendant

## High Lumen Cylinder

Schedule ID	
Part Number	
Notes	

High lumen cylinder fixture.



### Product Description

This fully dimmable low-voltage, decorative pendant features a high output white light LED array. The Class 2 solution contains no electronics in the fixture. The dimming control, power conversion, and constant current drivers for multiple fixtures are housed in a remote DC, Class 2 intelligent power supply, which can be located up to 150' away from the fixtures.

**Ideal applications:** airports, auditoriums, atriums, shopping malls, house of worship

### Performance Summary

Light Output	10330 lumens
Drive Current	2100 mA
Forward Voltage	37.6 Vf max
Compatible Power Supplies	EON 94-04-2100-ANA
CRI	90+ Standard, 80+ Optional
CCT	3000K, 3500K*, 4000K*
L70 Lifetime	50,000+ hours
Warranty	5-year limited warranty
Dimming	Dimmable to 0.2%

### Ordering Information Example: HLC-W30-SM18-B

Base	Beam	CCT	Mount	Finish
<b>HLC</b>	<b>N</b> Narrow (30°) <b>M</b> Medium (60°) <b>W</b> Wide (70°)	<b>30</b> 3000K (std) <b>35</b> 3500K (opt) <b>40</b> 4000K (opt)	<b>CM00</b> Ceiling <b>PM15</b> Pendant with 15' Aircraft Cable <b>SM06</b> 6" Stem <b>SM12</b> 12" Stem <b>SM18</b> 18" Stem <b>SM24</b> 24" Stem <b>SM36</b> 36" Stem	<b>B</b> Black <b>W</b> White* <b>Z</b> Bronze*

\*Please consult with your LumaStream account manager for pricing and lead times.

# HLC Cylinder Pendant Specifications

## Light Output

Drive Current	*CCT	Lumens	Voltage	Watts	CRI	Fixtures per Channel	Fixtures per Power Supply	Compatible Power Supplies
2100 mA	3000K	10330	37.6	82	90+	1/Ch	4/PS	94-04-2100-ANA-XX

\*For 3500K: multiply lumen values by 1.04; 4000K: multiply lumen values by 1.07. For 80 CRI multiply lumen values by 1.1.

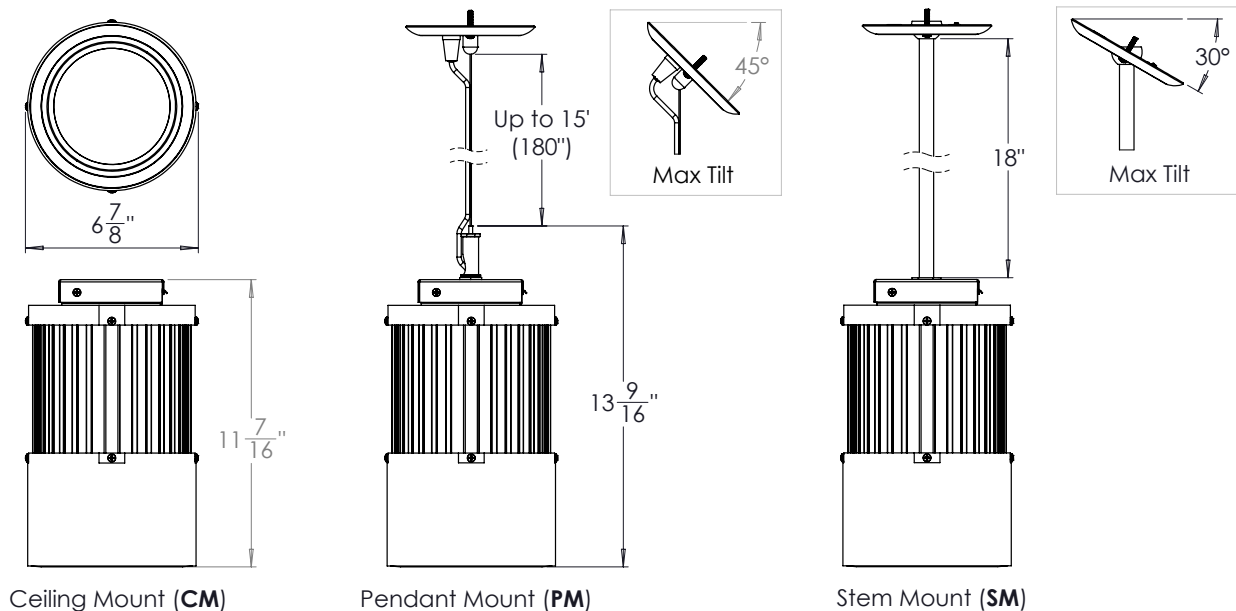
## Construction & Materials

Dimensions (H x D)	11 <sup>7</sup> / <sub>16</sub> "H x 6 <sup>7</sup> / <sub>8</sub> "D
Weight	10 lbs
Material	Aluminum
Mounting Options	Ceiling, Pendant with Aircraft Cable, Stem

## Certifications & Qualifications

TUV Certified to UL 1598	Yes
Suitable for Damp Locations	Yes
RoHS Compliant	Yes

## Mechanical Specifications



For more information, please contact:  
+1 (727) 827-2805  
[sales@lumastream.com](mailto:sales@lumastream.com)

LumaStream, Inc. reserves the right to make changes without further notice to any products herein to improve reliability, function, or design. LumaStream does not assume any liability arising out of the application or use of any product described herein; neither does it convey any license under its patent rights, nor the rights of others.

LS0231 / HLC Cylinder Pendant



Rev: 8/10/2018