

DL4 Downlight

4" Recessed

Schedule ID	
Part Number	
Notes	

Standard lensed **downlight** with superior efficiency & reliability.



Product Description

This fully dimmable low-voltage LED fixture is rated for insulation contact (IC) as well as airtight and damp locations. This Class 2 solution contains no electronics in the fixture. The dimming control, power conversion and constant current drivers for multiple fixtures are housed in a remote DC, Class 2 intelligent power supply, which can be located up to 150' away from the fixtures.

Ideal applications: hospitality, retail, architectural lighting.

Performance Summary

Light Output	582 - 1016 lumens
CCT	2700K, 3000K, 3500K, 4000K, 5000K*
CRI	90+ (2700K, 3000K) 80+ (3500K, 4000K, 5000K*)
Drive Current	350 mA - 700 mA
Forward Voltage	18 Vf max
Lifetime	50,000+ hours
Warranty	5-year limited warranty
Dimming	Dimmable to 0.2%

*Please consult with your LumaStream account manager for pricing and lead times.

Ordering Information Example: DL4-N-30-S-FL00-WW

DL4	-	-	-	-	-	-	-
Base	Beam	CCT	Lens	Style	Baffle Finish	Trim Finish	
DL4	N Narrow (20°) M Medium (28°) W Wide (40°)	27 2700K 30 3000K 35 3500K 40 4000K 50 5000K*	C Clear S Soft Diffuse	FL00 Flat Trim	B Black C Clear (Anodized Aluminum) W White	B Black C Clear (Anodized Aluminum) W White	

DL4 Downlight Specifications

Light Output

Drive Current	CCT	Lumens	Voltage	Watts	Fixtures/Ch	Fixtures/PS	Compatible Power Supplies
350 mA - 47 V	2700K	582	18	6.3	2	24	70-12-0350-XXX-X
450 mA - 40 V	2700K	748	18	8.1	2	24	70-12-0450-XXX-X
500 mA - 47 V	2700K	832	18	9	2	18	70-09-0500-XXX-X
700 mA - 40 V	2700K	1016	18	14.3	2	16	70-08-0700-XXX-X
700 mA - 47 V	2700K	1016	18	14.3	2	12	70-06-0700-XXX-X

**For 3000K: multiply lumens by 1.14; for 3500K by 1.19, for 4000K by 1.23, for 5000K by 1.5 (80 CRI)
(For 80 CRI multiply by 1.28)

Construction & Materials

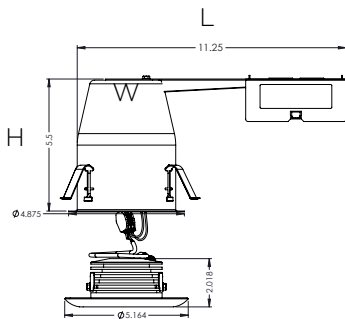
Dimensions (H x L x W)	New Construction: 5.50"H x 8.50"L x 6.00"W Remodel: 5.50"H x 11.375"L x 5.25"W Ceiling Cut Out: 4.25"D
Weight	0.80 lbs
Material	Milled Aluminum
Optics	Polycarbonate
Lenses	Clear or Soft Diffuse Acrylic
Operating Temperature	-4°F to 104°F / -20°C to 40°C
Mounting Options	Positioned between conventional joists spaced at 12", 16" or 24" O.C.

Certifications & Qualifications

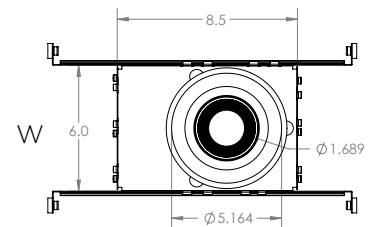
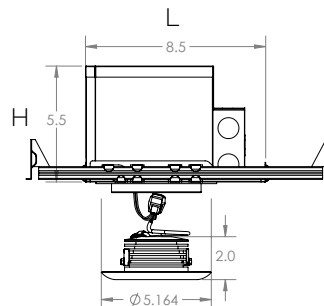
TUV Certified to UL 1598	Yes
IC Rated	Yes
Suitable for Wet Locations	Yes
RoHS Compliant	Yes
LM79 Tested	Yes

Mechanical Specifications

Remodel



New construction



For more information, please contact:
+1 (727) 827-2805
sales@lumastream.com

LumaStream, Inc. reserves the right to make changes without further notice to any products herein to improve reliability, function, or design. LumaStream does not assume any liability arising out of the application or use of any product described herein; neither does it convey any license under its patent rights, nor the rights of others.

LS0182 / DL4 Downlight



Rev: 8/14/2018