

# 410 Downlight

## 4" Eyeball

High quality, **directional lensed downlight** with flexibility for retail and hospitality.

Schedule ID	
Part Number	
Notes	



### Product Description

This fully dimmable low-voltage LED fixture is adjustable through 30° by 360° lens allows for multiple lighting applications. The 410 is rated for insulation contact (IC) as well as airtight and damp locations. This Class 2 solution contains no electronics in the fixture. The dimming control, power conversion and constant current drivers for multiple fixtures are housed in a remote DC, Class 2 intelligent power supply, which can be located up to 150' away from the fixtures.

**Ideal applications:** hospitality, retail, architectural lighting

### Performance Summary

Light Output	542 - 825 lumens
CCT	2700K, 3000K, 3500K, 4000K
CRI	90+ (27K, 30K), 80+ (35K, 40K)
Drive Current	700 mA, 1000 mA
Forward Voltage	12 Vf max
L70 Lifetime	50,000+ hours
Warranty	5-year limited warranty
Dimming	Dimmable to 0.2%

### Ordering Information Example: 410-N30S-FL00-CW

410	-	-	-	-	-	-
Base	Beam	CCT	Lens	Style	Baffle Finish	Trim Finish
<b>410</b>	<b>N</b> Narrow <b>W</b> Wide	<b>27</b> 2700K <b>30</b> 3000K <b>35</b> 3500K <b>40</b> 4000K	<b>C</b> Clear <b>S</b> Soft Diffuse <b>F</b> Full Diffuse	<b>FL00</b> Flat Trim	<b>B</b> Black <b>C</b> Clear	<b>B</b> Black <b>C</b> Clear <b>W</b> White

# 410 Downlight Specifications

## Light Output

Drive Current	CCT**	Lumens	Voltage	Watts	Lumens/Watt	CRI
700 mA	3000K	555	11.2	7.8	71	80+
1000 mA	3000K	742	11.4	11.4	65	80+

\*\* For 2700K: multiply lumens by 0.92; 3500K: multiply lumens by 1.26; 4000K: multiply lumens by 1.33.

## Construction & Materials

Dimensions (H x L x W)	New construction: 5.50"H x 8.50"L x 6.00"W Remodel: 5.50"H x 11.375"L x 5.25"W
Weight	0.88 lbs
Material	Die Cast Aluminum
Optics	Integral, Very Wide, 90°
Lenses	Polycarbonate Soft Diffusion 8%
Operating Temperature	-4°F to 104°F / -20°C to 40°C
Mounting Options	Housing can be positioned at any point within 24" joist spans Remodel has springs for easy installation in existing drywall ceilings

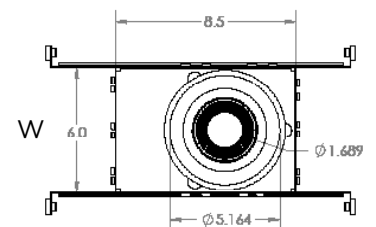
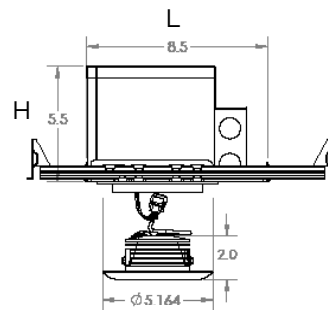
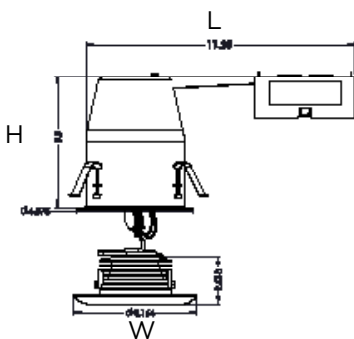
## Certifications & Qualifications

TUV Certified to UL 1598	Yes
IC Rated	Yes
Suitable for Damp Locations	Yes
RoHS Compliant	Yes
Exceeds California Title 24	Yes
LM79 Tested	Yes

## Mechanical Specifications

Remodel

New Construction



For more information, please contact:

+1 (727) 827-2805

sales@lumastream.com

LumaStream, Inc. reserves the right to make changes without further notice to any products herein to improve reliability, function, or design. LumaStream does not assume any liability arising out of the application or use of any product described herein; neither does it convey any license under its patent rights, nor the rights of others.

LS0180 / 410 Downlight



Rev: 3/14/2018