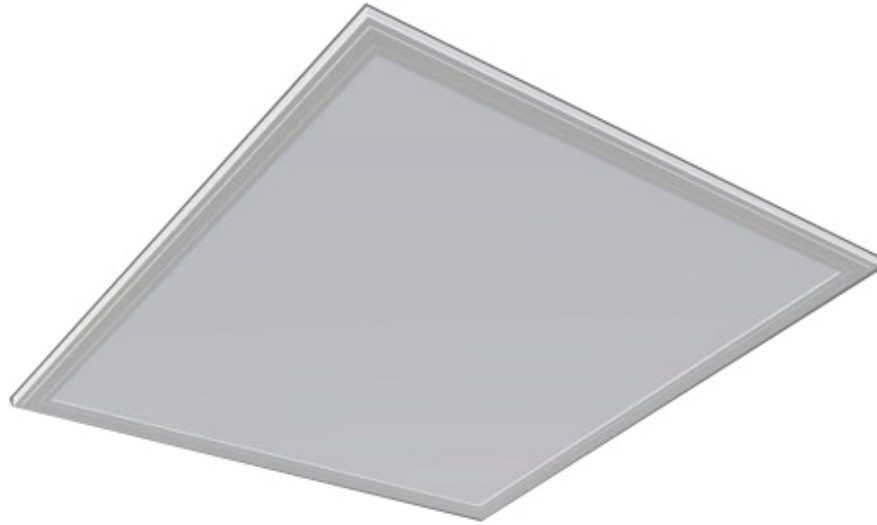


Schedule ID	
Part Number	
Notes	

# Quadrallux EP22

2'x2' Grid-Mount Edgelit Flat Panel



## Product Description

This Quadrallux EP22 is an ultra low profile 2'x2' fixture that can be recessed into standard grid ceilings or cable hung from a ceiling. The Quadrallux EP22 provides uniform illumination that maximizes visual comfort and efficiency. The fixture is only .5" in depth and will lay into a standard t-style grid ceiling. Integral seismic clips can secure the fixture to grid ceiling.

The dimming control, power conversion, and constant current drivers for multiple fixtures are housed in a remote DC, Class 2 intelligent power supply, which can be located up to 150' away from the fixture.

**Ideal applications:** hospitality, retail, commercial, architectural lighting

## Performance Summary

Light Output	1375 - 3200 lumens (Standard Output) 2772 - 6300 lumens (High Output)
CCT	3000K*, 3500K, 4000K, 5000K*
CRI	80+ Standard, 90+ Optional*
Drive Current	350 mA - 700 mA
Forward Voltage	32.3 Vf max
L70 Lifetime	50,000+ hours
Beam Angle	110°
Warranty	5-year limited warranty
Dimming	Dimmable to 0.2%

\*Please consult with your LumaStream account manager for pricing and lead times.

## Ordering Information Example: EP22-35-RM-W

Base	CCT	Mount	Finish	CRI
<b>EP22</b> - Standard Output	<b>30</b> 3000K* (opt) <b>35</b> 3500K (std) <b>40</b> 4000K (std)	<b>CM 15</b> Cable Mount 15' <b>RM</b> Recessed Mount <b>SM</b> Surface Mount	<b>W</b> White	<b>-</b> 80 (Default Standard Option, Leave Blank) <b>9</b> 90*
<b>EP22HO</b> - High Output	<b>50</b> 5000K* (opt)			

# Quadrallux EP22 Flat Panel Specifications

## Standard Output Configuration (Single Power Channel Required)

Drive Current	CCT	*Lumens	Voltage	Watts	Fixtures/Ch	Fixtures/PS	CRI	Compatible Power Supplies
350 mA	3500K	1375	32.3	11	1	12	80+	70-12-0350-XXX-XX
450 mA	3500K	1890	32.3	15	1	12	80+	70-12-0450-40D-XX
500 mA	3500K	2018	32.3	16	1	9	80+	70-09-0500-XXX-XX
700 mA	3500K	3200	32.3	23	1	8	80+	70-08-0700-40D-XX
700 mA	3500K	3200	32.3	23	1	6	80+	70-06-0700-XXX-XX

## High Output Configuration (Dual Power Channels Required)

Drive Current	CCT	*Lumens	Voltage	Watts	Fixtures/Ch	Fixtures/PS	CRI	Compatible Power Supplies
350 mA	3500K	2772	32.3	11	0.5	6	80+	70-12-0350-XXX-XX
450 mA	3500K	3780	32.3	15	0.5	6	80+	70-12-0450-40D-XX
500 mA	3500K	4030	32.3	16	0.5	4	80+	70-09-0500-XXX-XX
700 mA	3500K	6300	32.3	23	0.5	4	80+	70-08-0700-40D-XX
700 mA	3500K	6300	32.3	23	0.5	3	80+	70-06-0700-XXX-XX

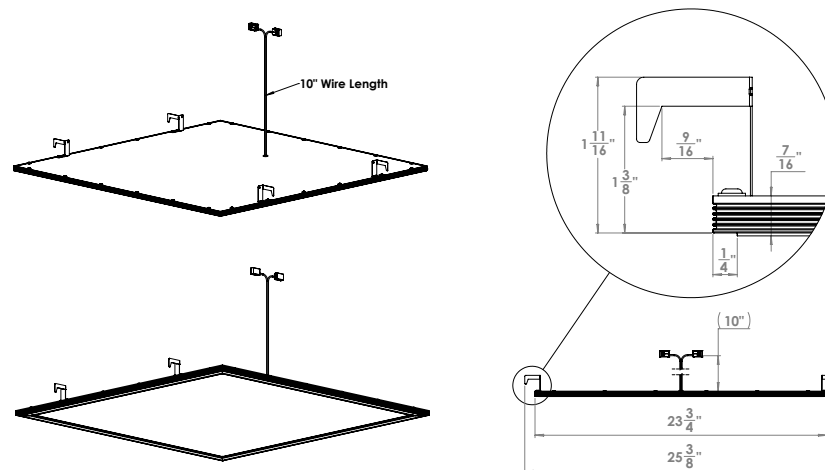
\*For 3000K multiply by .94, 4000K by 1.03, 5000K by 1.07

## Construction & Materials

Dimensions	23.75" x 23.75" x .5"
Weight	6.3 lbs
Material	Aluminum, Polycarbonate Diffuser
Operating Temperature	0°C to 40°C / 4°F to 104°F

## Certifications & Qualifications

TUV Certified to UL 1598	Yes
IC Rated	Yes
Suitable for Wet Locations	Yes
RoHS Compliant	Yes



For more information, please contact:

+1 (727) 827-2805

sales@lumastream.com

LumaStream, Inc. reserves the right to make changes without further notice to any products herein to improve reliability, function, or design. LumaStream does not assume any liability arising out of the application or use of any product described herein; neither does it convey any license under its patent rights, nor the rights of others.

LS0218 / Quadrallux EP22 Flat Panel



Rev: 4/02/2019