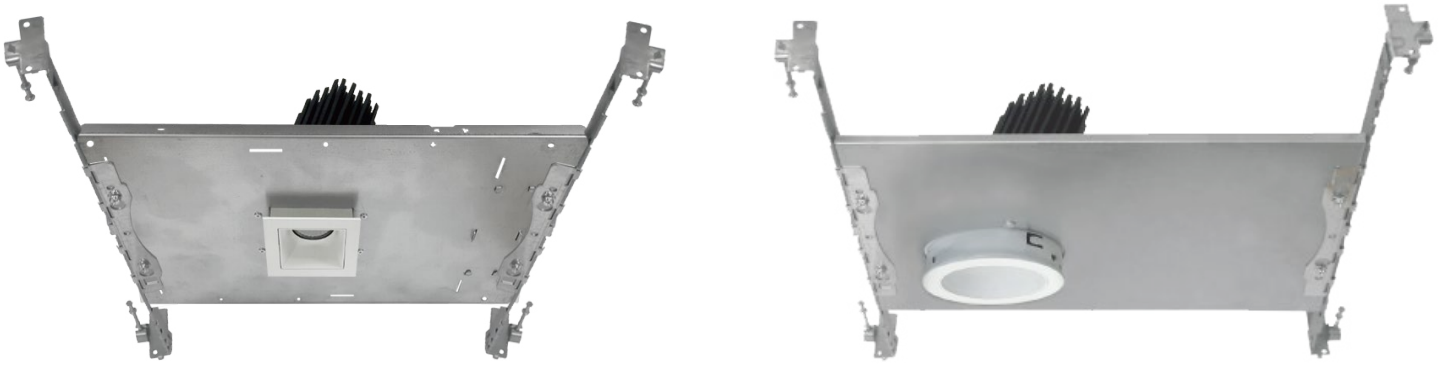


MDL2 Downlight

2" Aperture

Schedule ID	
Part Number	
Notes	



(Both images shown with optional new construction flat frame)

Architectural Series downlight with multiple trim options. Superior efficiency, reliability and flexible design.

Product Description

This fully dimmable low-voltage LED fixture is available in two power levels, 18V and 36V. Multiple finish and trim options create beautiful combinations that blend with any design. This Class 2 solution contains no electronics in the fixture. The dimming control, power conversion and constant current drivers for multiple fixtures are housed in a remote DC, Class 2 intelligent power supply, which can be located up to 150' away from the fixtures.

Ideal applications: residential, hospitality, retail, architectural lighting

Performance Summary

Light Output	492 - 1030 lumens 492 - 1442 lumens in a non-IC application
CCT	2700K, 3000K, 3500K*, 4000K*
CRI	90+
Compatible Power Supplies	Optimal Power Supply for MDL Series 70-12-0450-40D-X
	Alternative Compatible Power Supplies 70-12-0350-XXX-X
	70-09-0500-XXX-X
Power Supplies for Non-IC Only	70-08-0700-XXX-X
	70-06-0700-XXX-X
Forward Voltage	18 Vf, 2 per channel
	36 Vf, 1 per channel
Adjustability	18V & 36V adjust 30°
L70 Lifetime	TM-21 calculated 55,000
L70 Lifetime	TM-21 projected 250,000
L90 Lifetime	TM-21 projected 90,000
Warranty	5-year limited warranty
Dimming	Dimmable to 0.2%

Ordering Information Example: MDL2R-W30-18-WW

MDL2		-		-		-	
Base	Trim	Beam	CCT	Voltage	Baffle Finish	Trim Finish	
MDL2	R Round SQ Square RA Round Adjustable SQA Square Adjustable	N Narrow (20°) M Medium (28°) W Wide (40°)	27 2700K 30 3000K 35 3500K* 40 4000K*	18 18 Volts 36 36 Volts	W White B Black	W White B Black	

*Please consult with your LumaStream account manager for pricing and lead times.

MDL2 Downlight Specifications

Light Output

Drive Current	CCT*	Lumens	Voltage	Watts	Fixtures/Ch	Fixtures/PS	Compatible Power Supplies
Optimal Power Supply for MDL Series							
450 mA - 40 V	3000K	633	18	8.1	2	24	70-12-0450-XXX-X
450 mA - 40 V	3000K	927	36	16.2	1	12	70-12-0450-XXX-X
Alternative Compatible Power Supplies							
350 mA - 47 V	3000K	492	18	6.3	2	24	70-12-0350-XXX-X
500 mA - 47 V	3000K	721	18	9	2	18	70-09-0500-XXX-X
700 mA - 40 V	3000K	985	18	12.6	2	16	70-08-0700-40D-X**
700 mA - 47 V	3000K	985	18	12.6	2	12	70-06-0700-XXX-X**
350 mA - 47 V	3000K	703	36	12.6	1	12	70-12-0350-XXX-X
500 mA - 47 V	3000K	1030	36	18	1	9	70-09-0500-XXX-X
700 mA - 40 V	3000K	1442	36	25.2	1	8	70-08-0700-XXX-X**
700 mA - 47 V	3000K	1442	36	25.2	1	6	70-06-0700-XXX-X**

**For non-IC applications only

*Lumens based on narrow optic, 3000K. For 2700K: multiply lumens by 0.86, 3500K: multiply lumens by 1.05, 4000K: multiply lumens by 1.08.

*For lumens based on medium optic, 3000K: multiply lumens by 0.94. *For lumens based on wide optic, 3000K: multiply lumens by 0.91.

Construction & Materials

Dimensions	Round: 5.5" height, 3 ³ / ₁₆ " diameter Square: 5.5" height, 3 ³ / ₁₆ " x 3 ³ / ₁₆ "
Weight	0.77 lbs
Material	Die Cast / Spun Aluminum, Steel
Optics	Polycarbonate
Lenses	Soft Diffuse Glass
Operating Temperature	-4°F to 104°F / -20°C to 40°C
Housing Options	Non-IC rated: HSN-02-R-FF-NC / HSN-02-S-FF-NC IC rated: HSN-02-R-IC-NC / HSN-02-S-IC-NC AT rated: HSN-02-R-AT-NC / HSN-02-S-AT-NC
Ceiling Cutout	Round: 2 ⁷ / ₈ " diameter Square: 2 ⁷ / ₈ " x 2 ⁷ / ₈ "

Certifications & Qualifications

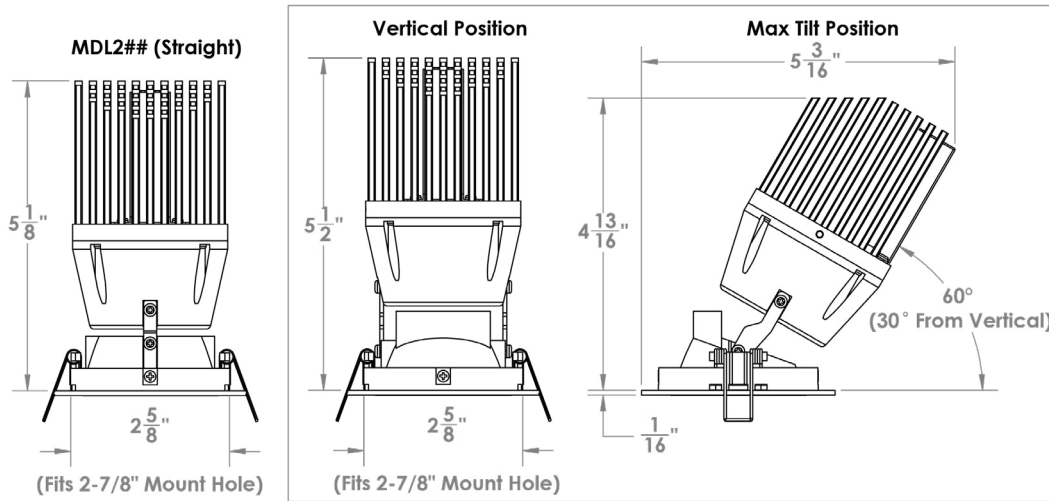
TUV Certified to UL 1598	Yes
Suitable for Wet Locations	Yes
RoHS Compliant	Yes
LM79 Tested	Yes

MDL2 Downlight Specifications

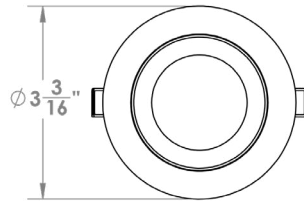
Mechanical Dimensions

MDL2

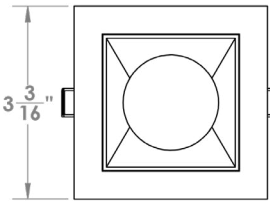
MDL2##A (Adjustable)



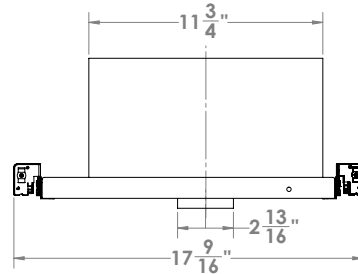
MDL2R (Round)



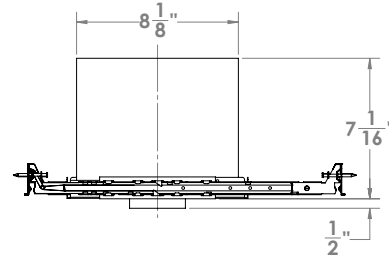
MDL2SQ (Square)



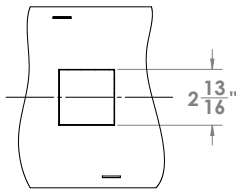
HSN-02-#-ICAT-NC



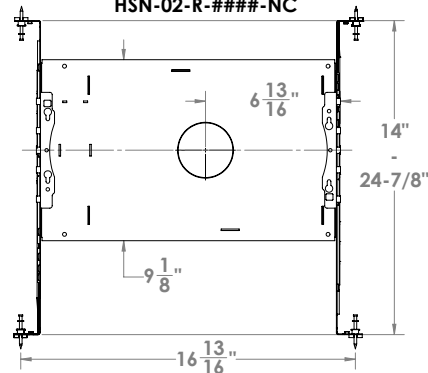
HSN-02-#-ICAT-NC



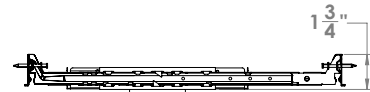
HSN-02-S-####-NC



HSN-02-R-####-NC



HSN-02-#-FF-NC



For more information, please contact:
 +1 (727) 827-2805
 sales@lumastream.com

LumaStream, Inc. reserves the right to make changes without further notice to any products herein to improve reliability, function, or design. LumaStream does not assume any liability arising out of the application or use of any product described herein; neither does it convey any license under its patent rights, nor the rights of others.