

DL6 Downlight

6" Recessed

Standard lensed **downlight** with superior efficiency & reliability.



Schedule ID	
Part Number	
Notes	

Product Description

This fully dimmable low-voltage LED fixture is rated for insulation contact (IC) as well as airtight and damp locations. This Class 2 solution contains no electronics in the fixture. The dimming control, power conversion and constant current drivers for multiple fixtures are housed in a remote DC, Class 2 intelligent power supply, which can be located up to 150' away from the fixtures.

Ideal applications: residential, commercial, hospitality, retail, architectural lighting.

Performance Summary

Light Output	582 - 1016 lumens
CCT	2700K*, 3000K, 4000K*
CRI	90+
Drive Current	350 mA - 700 mA
Forward Voltage	18 Vf max
L70 Lifetime	50,000+ hours
Warranty	5-year limited warranty
Dimming	Dimmable to 0.2%

*Please consult with your LumaStream account manager for pricing and lead times

Ordering Information Example: DL6-XW30S-W

DL6	-			-	
Base	Beam	CCT		Lens	Trim Finish
DL6	XW Extra Wide (90°)	27 2700K*	30 3000K	S Soft Diffuse	W White
		40 4000K*			

DL6 Downlight Specifications

Light Output

Drive Current (mA)	CCT*(K)	Lumens	Voltage	Watts	Fixtures/Ch	Fixtures/PS	Compatible Power Supplies
350	2700	582	18	6.3	2	24	70-12-0350-XXX-XX
450	2700	748	18	8.1	2	24	70-12-0450-XXX-XX
500	2700	832	18	9	2	18	70-09-0500-XXX-XX
700	2700	1016	18	12.6	1	12	66-12-0700-XXX-XX
700	2700	1016	18	12.6	2	16	70-08-0700-XXX-XX
700	2700	1016	18	12.6	2	12	70-06-0700-XXX-XX

*For 3000K: multiply lumens by 1.07; for 4000K by 1.15

Construction & Materials

Dimensions (H x D)	2 5/8" H x 7 1/2" D Ceiling Cut Out: W/O Housing 6"; W/Housing 6 3/8"
Weight	0.80 lbs
Material	Die Cast Aluminum
Optics	Integral, Extra Wide, 90°
Lenses	Soft Diffuse Acrylic
Operating Temperature	-4°F to 113°F / -20°C to 45°C
Mounting Options	HSN-06-R-FF-NC

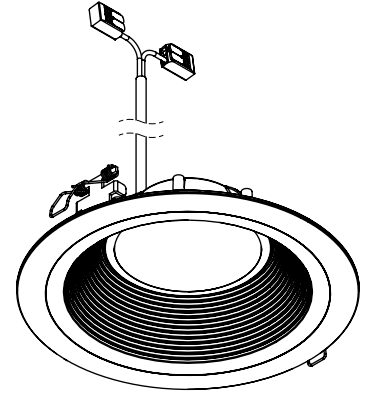
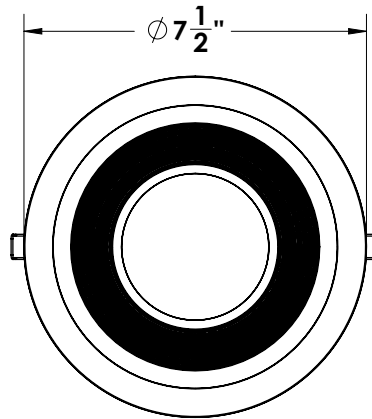
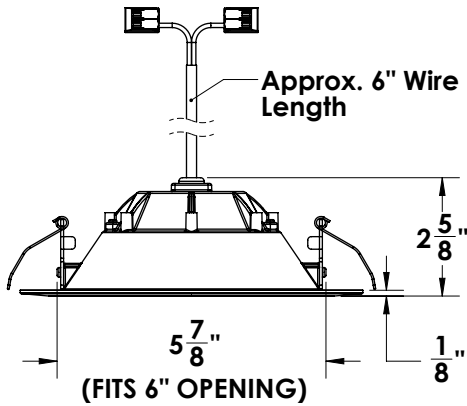
Certifications & Qualifications

TUV Certified to UL 1598	Yes
IC Rated	Yes
Suitable for Damp Locations	Yes
RoHS Compliant	Yes
LM79 Tested	Pending

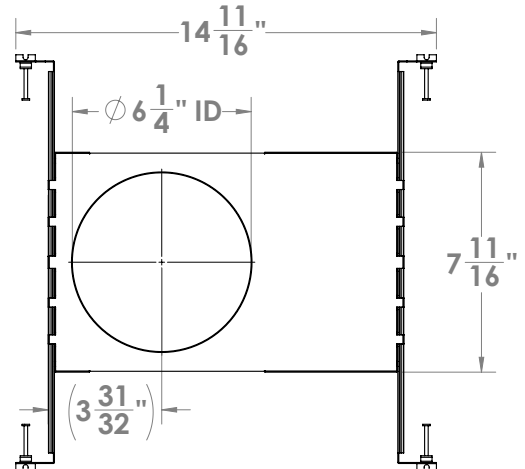
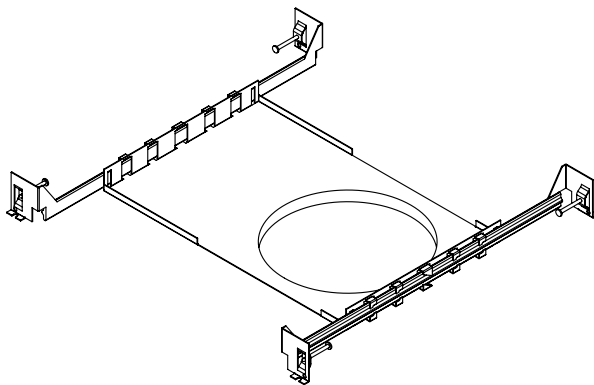
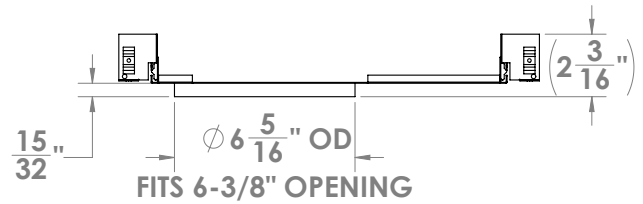
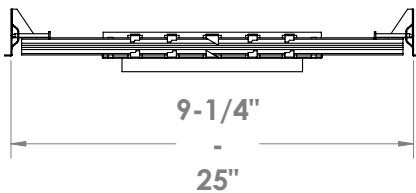
DL6 Downlight Specifications

Mechanical Specifications

DL6



HSN-06-R-FF-NC



For more information, please contact:
+1 (727) 827-2805
sales@lumastream.com

LumaStream, Inc. reserves the right to make changes without further notice to any products herein to improve reliability, function, or design. LumaStream does not assume any liability arising out of the application or use of any product described herein; neither does it convey any license under its patent rights, nor the rights of others.

