

906 Pendant

Steel Canopy

Schedule ID	
Part Number	
Notes	

Cylinder pendant & surface mount fixture.



Product Description

This fully dimmable low-voltage, decorative pendant features a black, silver, or white finish. The Class 2 solution contains no electronics in the fixture. The dimming control, power conversion, and constant current drivers for multiple fixtures are housed in a remote DC, Class 2 intelligent power supply, which can be located up to 150' away from the fixtures.

Ideal applications: hospitality, commercial, architectural lighting, house of worship

Performance Summary

Light Output	2100 lumens
CCT	3000K, 3500K, 4000K
CRI	80+ Standard, 90+ Optional
Drive Current	700 mA
Forward Voltage	28.7 Vf max
L70 Lifetime	50,000+ hours
Warranty	5-year limited warranty
Dimming	Dimmable to 0.2%

Ordering Information Example: 906-N30C-10-B

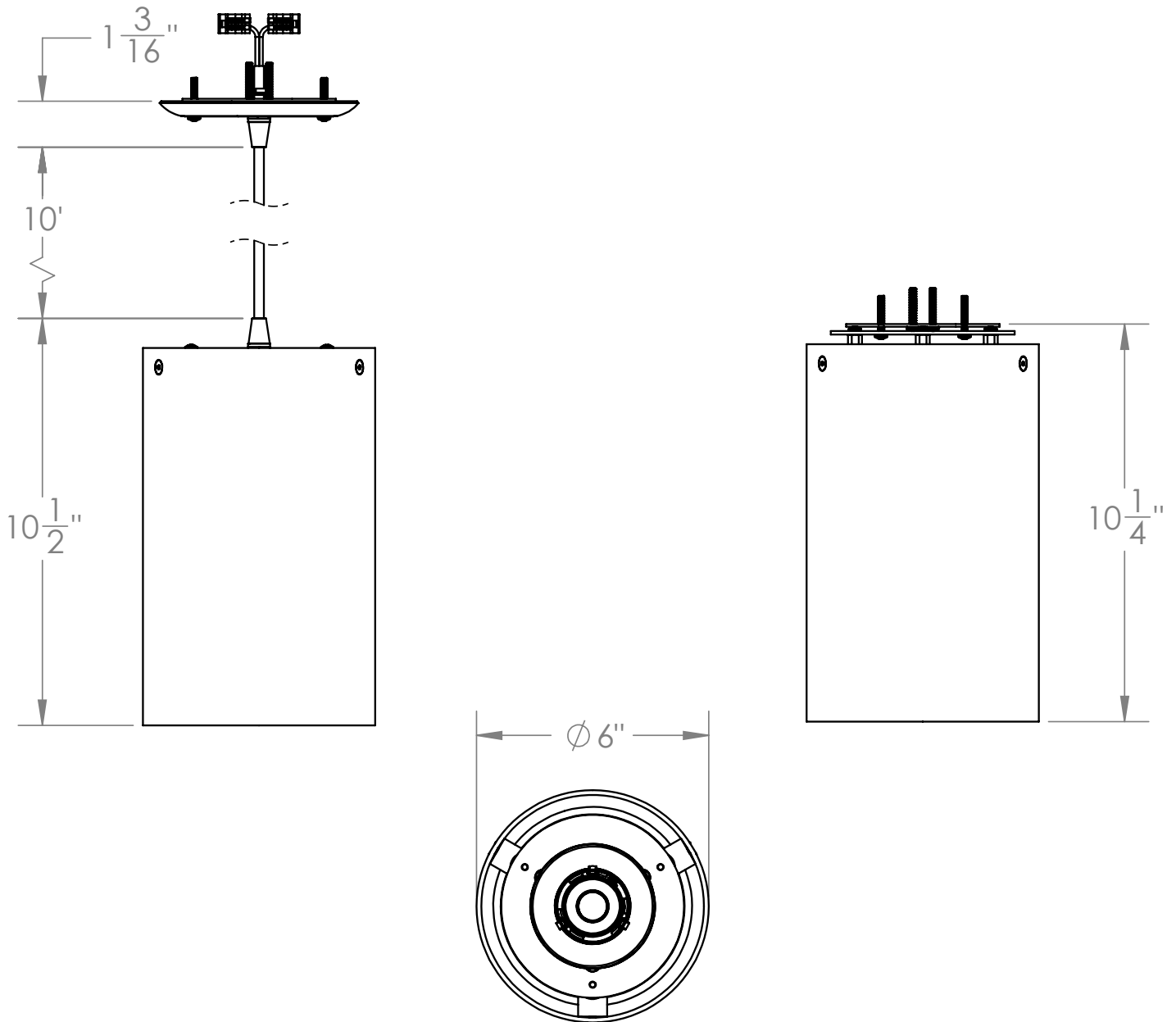
Base	Beam	CCT	Mounting	Cord	Finish
906	N Narrow (25°) M Medium (38°) W Wide (55°)	30 3000K (std) 35 3500K (opt) 40 4000K (std)	C Ceiling P Pendant	00 Ceiling Mount 10 10' Steel Cable & Canopy	B Black S Silver W White

906 Pendant Specifications

Certifications & Qualifications

TUV Certified to UL 1598	Yes
Suitable for Damp Locations	Yes
RoHS Compliant	Yes

Mechanical Specifications



For more information, please contact:
 +1 (727) 827-2805
sales@lumastream.com

LumaStream, Inc. reserves the right to make changes without further notice to any products herein to improve reliability, function, or design. LumaStream does not assume any liability arising out of the application or use of any product described herein; neither does it convey any license under its patent rights, nor the rights of others.

LS0231 / 906 Cylinder



Rev: 8/22/2018