

DL3F Downlight

3.5" Recessed

Suitable for new construction or for retrofit.

Architectural Series Fixed downlight with multiple trim options. Superior efficiency, reliability and flexible design.

Schedule ID	
Part Number	
Notes	



Product Description

This fully dimmable low-voltage LED fixture is available in two power levels, 18V and 36V. Multiple finish and trim options create beautiful combinations that blend with any design. Regressed light source to minimize glare. This Class 2 solution contains no electronics in the fixture. The dimming control, power conversion and constant current drivers for multiple fixtures are housed in a remote DC, Class 2 intelligent power supply, which can be located up to 150' away from the fixtures.

Ideal applications: residential, hospitality, retail, architectural lighting

Performance Summary

Light Output	579 - 1597 lumens
CCT	2700K, 3000K, 3500K*, 4000K*
CRI	90+
Optimal Power Supply	70-12-0450-40D-XX
Forward Voltage	18 Vf (700mA max - 2 fixtures per channel) 36 Vf (500mA max - 1 fixture per channel)
L70 Lifetime	70,000+ hours
Warranty	5-year limited warranty
Dimming	Dimmable to 0.2%

*Please consult with your LumaStream account manager for pricing and lead times

Ordering Information Example: DL3F-N27-18-ONR-WC

DL3F	-		-		-		-		-		
BASE	-	OPTIC	CCT	-	VOLTAGE	-	TRIM*	-	COLOR	ACCENT	
DL3F	N	22 Degrees	27	2700 Kelvin	18 36	ONR/ONS	Open Round / Open Square	B	Black	B	Black
	M	43 Degrees	30	3000 Kelvin		WWR	Wall Wash Round	W	White	W	White
	W	63 Degrees	35	3500 Kelvin				C	Silver	X	Chrome
			40	4000 Kelvin						C	Satin Silver
						PNR/PNS	Pinhole Round / Pinhole Square	B	Black	N/A	
						SLR/SLS	Slotted Round / Slotted Square	W	White		
								C	Silver		
						LNR	Lensed Round	B	Black	BL	Blue
						GLR	Drop Glass Round	W	White	CL	Clear
								C	Silver	FR	Frosted

*Please refer to the "Trim Options" section for illustration of trims.

DL3F Downlight Specifications

Light Output @ 3000K*

	Drive Current	Lumens	Voltage	Watts	Fixtures/Ch	Fixtures/PS	Compatible Power Supplies
18 V	350 mA - 47 V	579	17.3	6.1	2	24	70-12-0350-XXX-XX
	450 mA - 40 V	802	17.6	7.9	2	24	70-12-0450-XXX-XX
	500 mA - 47 V	829	17.8	8.9	2	18	70-09-0500-XXX-XX
	700 mA - 40V	1097	18.25	12.8	2	16	70-08-0700-XXX-XX
36 V	350 mA - 47 V	1144	33.9	11.9	1	12	70-12-0350-XXX-XX
	450 mA - 40 V	1474	34.7	15.6	1	12	70-12-0450-XXX-XX
	500 mA - 47V	1597	35.2	17.6	1	9	70-09-0500-XXX-XX

*For 2700K: multiply lumens by 0.96, *3500K: multiply lumens by 1.05, *4000K: multiply lumens by 1.25

Construction & Materials

Dimensions (H x L x W)	18V: 4-1/8"H x 4-5/16"D; 36V: 5-1/2"H x 4-5/16"D Ceiling Cut Out: 3-7/8" (w/o Housing); 4" (w/ Housing)
Weight	1.0 lbs - 1.3 lbs
Primary Materials	Aluminum, Steel
Optic Material	Polycarbonate
Operating Temperature	-4°F to 104°F / -20°C to 40°C
Housing Options	IC Rated Housing Flat Frame (IC Rated to 13 W)

Certifications & Qualifications

TUV Certified to UL 1598	Yes
Suitable for Damp Locations	Yes
Suitable for Wet Locations	LNR Trim Option Only
RoHS Compliant	Yes
LM79 Tested	Pending

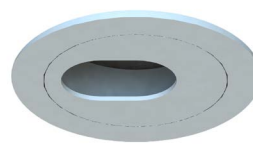
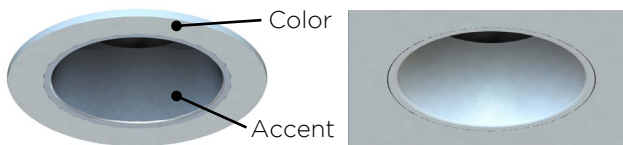
Trim Options

ONR - Open Round

ONS - Open Square

SLR Slotted Round*

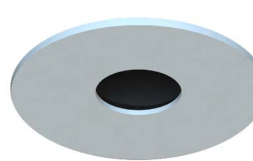
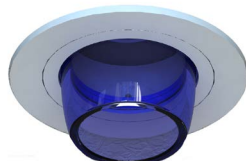
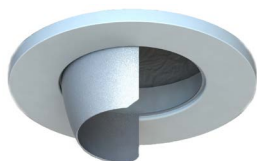
LNR - Lensed Round**



WWR Wall Wash

GLR - Drop Glass Blue

PNR - Pinhole Round*

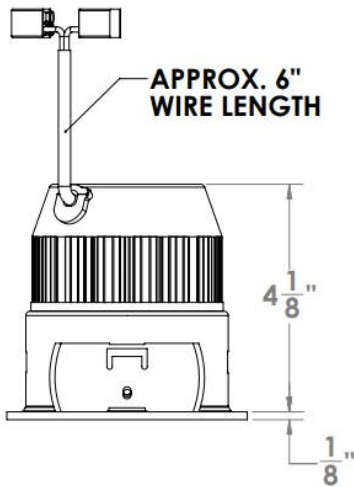


*Available in both round and square
**Wet-rated

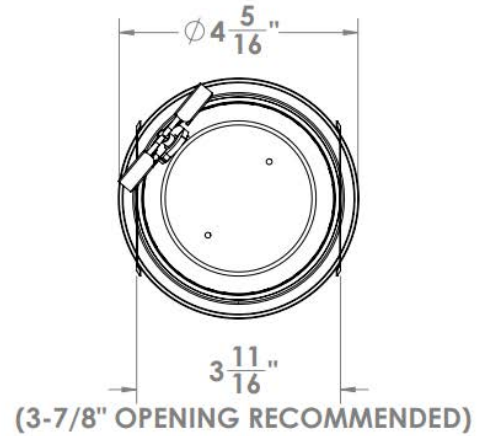
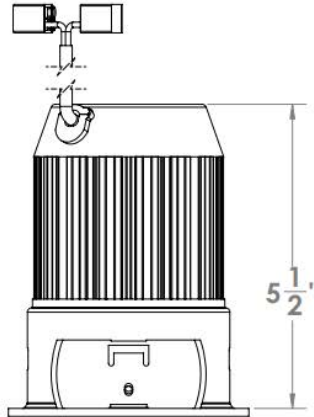
DL3F Downlight Specifications

Mechanical Dimensions

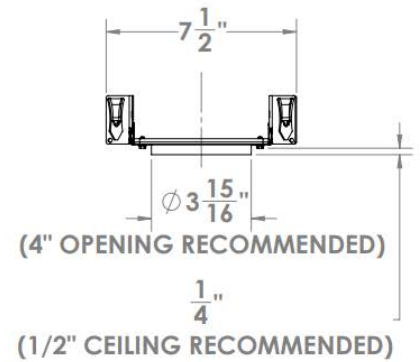
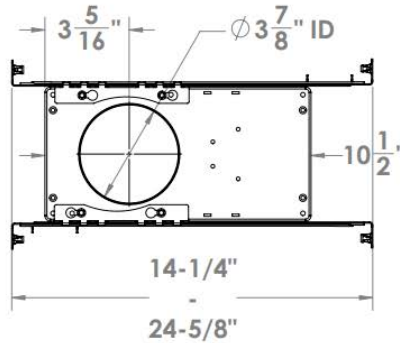
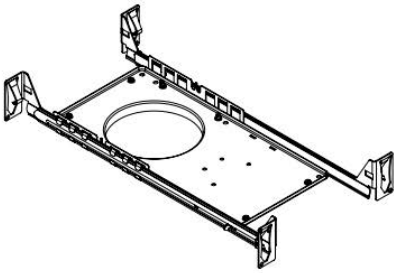
18 VOLT



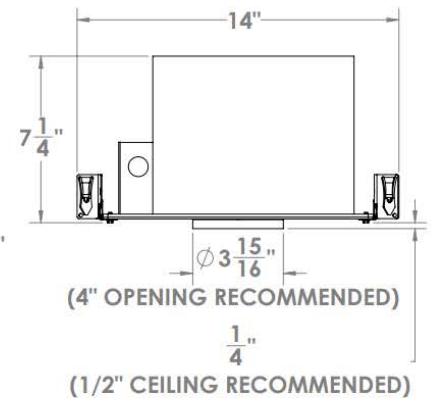
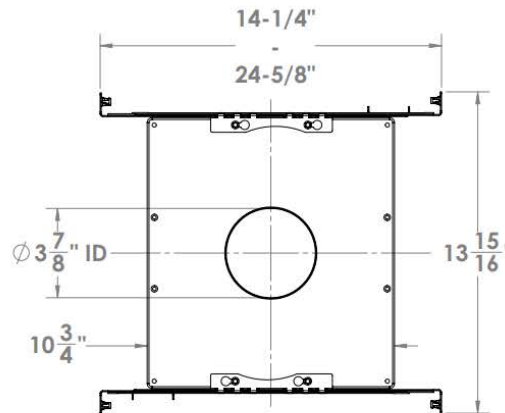
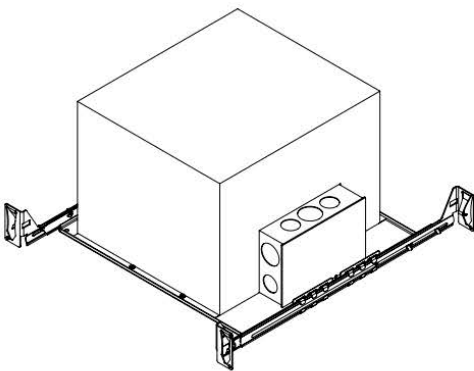
36 VOLT



HSN-03-RF-FF-NC



HSN-03-RF-IC-NC



For more information, please contact:
+1 (727) 827-2805
sales@lumastream.com

LumaStream, Inc. reserves the right to make changes without further notice to any products herein to improve reliability, function, or design. LumaStream does not assume any liability arising out of the application or use of any product described herein; neither does it convey any license under its patent rights, nor the rights of others.

LS0182 / DL3F Downlight



Rev: 9/10/2019