

# 460 Cylinder Pendant

Schedule ID	
Part Number	
Notes	



Sconce Cone with "00" mount



Drop Lens with "05" mount



Baffle with "02" mount

Configurable pendant, surface, stem and cable mounts with three trim options.

## Product Description

This fully dimmable low-voltage LED fixture is a standard surface mount downlight with multiple mount and trim configurations. This Class 2 solution contains no electronics in the fixture. The dimming control, power conversion and constant current drivers for multiple fixtures are housed in a remote DC, Class 2 intelligent power supply which can be located up to 200 ft. away from the fixtures.

**Ideal applications:** hospitality, retail, architectural lighting.

## Performance Summary

Light Output	582 - 1016 lumens
CCT	2700, 3000, 3500, 4000
CRI	>90
Drive Current	350 mA - 700 mA
Forward Voltage	18 Vf max
Lifetime	50,000+ hours
Warranty	5 year limited warranty
Dimming	Dimmable to 0.2%

## Ordering Information Example: 460-W30S-02BF-C

Base	Beam	CCT*	Lens	Mount Type	Type	Finish
<b>460</b>	<b>N</b> Narrow (20°) <b>M</b> Medium (28°) <b>W</b> Wide (40°)	<b>27</b> 2700K <b>30</b> 3000K <b>35</b> 3500K <b>40</b> 4000K	<b>C</b> Clear <b>S</b> Soft diffuse <b>F</b> Full diffuse <b>O</b> None	<b>00</b> None <b>02</b> 2" fixed arm <b>04</b> 4" fixed arm <b>06</b> 6" fixed arm <b>05</b> 5' SVT Cable <b>10</b> 10' SVT Cable <b>15</b> 15' SVT Cable	<b>BF</b> Baffle <b>DL</b> Drop Lens <b>SC</b> Sconce Cone	<b>B</b> Black <b>C</b> Clear (brushed aluminum)

# 460 Cylinder Pendant Specifications

## Light Output

Drive Current	CCT	Lumens	Voltage	Watts	Fixtures/CH	Fixtures/PS	Compatible Power Supplies
350 mA - 47 V	2700K	582	18	6.3	2	24	70-12-0350-XXX-X
450 mA - 40 V	2700K	748	18	8.1	2	24	70-12-0450-XXX-X
500 mA - 47 V	2700K	832	18	9	2	18	70-09-0500-XXX-X
700 mA - 40 V	2700K	1016	18	14.3	2	16	70-08-0700-XXX-X
700 MA - 47 V	2700K	1016	18	14.3	2	12	70-06-0700-XXX-X

\*\* For 3000K: multiply lumens by 1.14; for 3500K by 1.19; for 4000K by 1.23; for 5000K by 1.5 (80 CRI) (For 80 CRI multiply by 1.28)

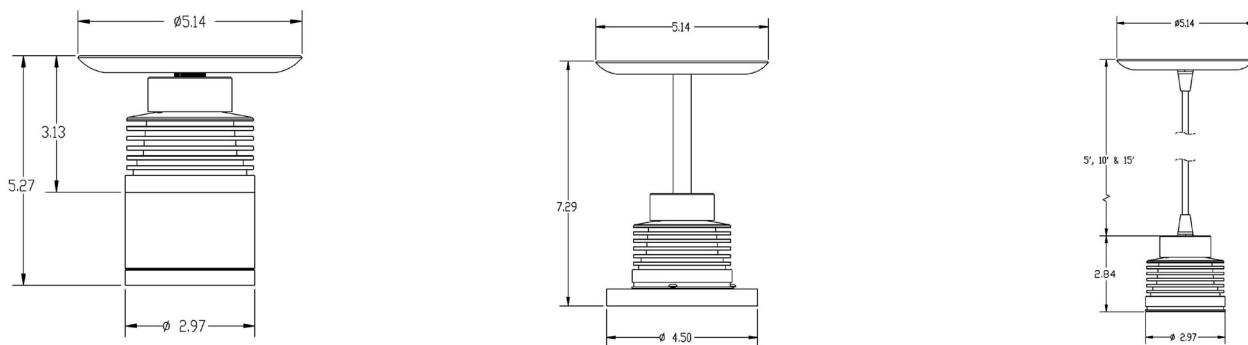
## Construction & Materials

Weight	0.69 lbs
Primary Material	Anodized Aluminum
Optics	Polycarbonate
Lenses	Acrylic
Operating Temperature	-4°F to 113°F/ -20°C to 45°C
Mounting Options	Universal plate and junction box

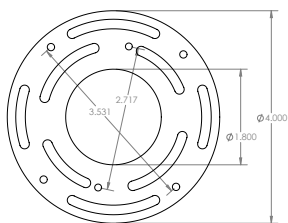
## Certifications & Qualifications

TUV Certified to UL 1598	Yes
Suitable for Damp Locations	Yes
RoHS Compliant	Yes
Exceeds California Title 24	Yes

## Mechanical Specifications



## Universal Adapter



For more information, please contact:

+1 (727) 827-2805

sales@lumastream.com

LumaStream, Inc. reserves the right to make changes without further notice to any products herein to improve reliability, function, or design. LumaStream does not assume any liability arising out of the application or use of any product described herein; neither does it convey any license under its patent rights, nor the rights of others.

LS0167 / 460 Cylinder Pendant



Rev: 1/11/19